

**PLEASE CHECK WWW.MOLEX.COM FOR LATEST PART INFORMATION**

**Part Number:** [35532-0305](#)  
**Status:** **Active**  
**Description:** Bulb Socket Double Housing Assembly, Unsealed, Gray

**Documents:**

[3D Model](#) [Packaging Specification PK-35532-001 \(PDF\)](#)  
[Drawing \(PDF\)](#) [RoHS Certificate of Compliance \(PDF\)](#)  
[Product Specification PS-35532-001 \(PDF\)](#)

**General**

Product Family	Other Sockets
Series	<a href="#">35532</a>
Component Type	Socket
Product Name	Bulb Socket
UPC	756054249512

**Physical**

Circuits (Loaded)	0
Circuits (maximum)	0
Color - Resin	Gray
Durability (mating cycles max)	50
Entry Angle	Vertical
Keying to Mating Part	None
Material - Resin	Nylon
Net Weight	5.413/g
PCB Retention	N/A
Packaging Type	Bag
Pitch - Mating Interface	N/A
Pitch - Termination Interface	6.00mm
Temperature Range - Operating	-40°C to +105°C

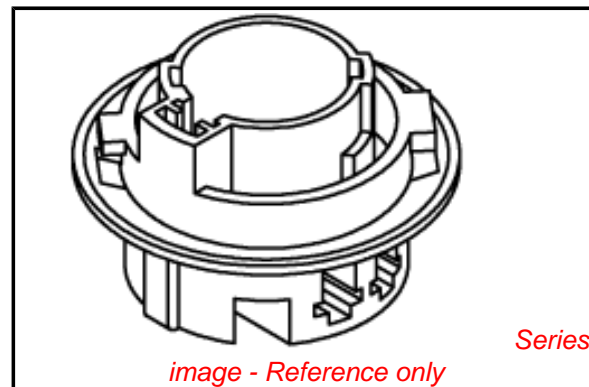
**Electrical**

Current - Maximum per Contact	7A
Voltage - Maximum	300V AC (RMS)/DC

**Material Info**

**Reference - Drawing Numbers**

Packaging Specification	PK-35532-001
Product Specification	PS-35532-001
Sales Drawing	SD-35532-001



*image - Reference only*

**EU RoHS**

**ELV and RoHS  
Compliant**

**REACH SVHC**

Not Reviewed

**Low-Halogen Status**

**Low-Halogen**

**China RoHS**



**Need more information on product  
environmental compliance?**

Email [productcompliance@molex.com](mailto:productcompliance@molex.com)  
 For a multiple part number RoHS Certificate of Compliance, [click here](#)

Please visit the [Contact Us](#) section for any non-product compliance questions.

**Search Parts in this Series**

[35532Series](#)

**Mates With**

Lamp

**Use With**

[35438](#) Positive Terminal for PT Bulb Socket,  
[35439](#) Earth Terminal for PT Bulb Socket