

PLEASE CHECK WWW.MOLEX.COM FOR LATEST PART INFORMATION

Part Number: [35524-4929](#)
Status: **Active**
Description: 1.78mm Tab Multiple Male Housing with Ear, 9 Circuits, Vertical, Polyester Carbonate UL94V-0, Natural, Glow Wire Compatible

Documents:

[3D Model](#) [Packaging Specification PK-35524-001 \(PDF\)](#)
[Drawing \(PDF\)](#) [RoHS Certificate of Compliance \(PDF\)](#)
[Product Specification PS-35524-001 \(PDF\)](#)

Agency Certification

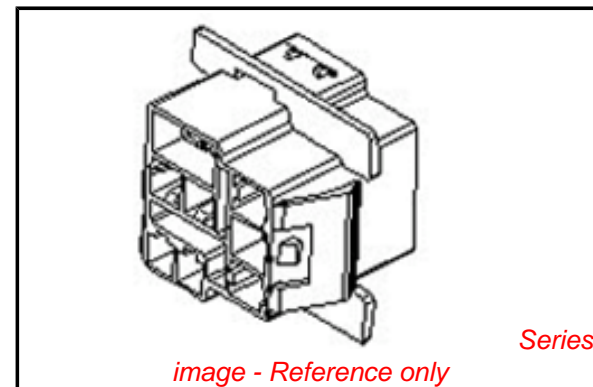
UL E29179

General

Product Family	Crimp Housings
Series	35524
Application	Power, Wire-to-Wire
Comments	This Molex product is manufactured from material that has the following ratings, tested by independent agencies :. a) A Glow Wire Ignition Temperature (GWIT) of at least 775 deg C per IEC 60695-2-13.. b) A Glow Wire Flammability Index (GWFI) above 850 deg C per IEC 60695-2-12.and hence complies with the requirements set out in the International Standard IEC 60335-1 5th edition - household and similar electrical appliances - safety; section 30 Resistance to heat and fire.<P><P>The customers using this product must determine its suitability for use in their particular application through testing or other acceptable means as described in end-product glow-wire flammability test standard IEC 60695-2-11 and any applicable product end-use standard(s).<P>If it is determined during the customer's evaluation of suitability, that higher performance is required, please contact Molex for possible product options.
Product Name	N/A
UPC	822350373531

Physical

Breakaway	No
Circuits (maximum)	9
Color - Resin	Blue
Flammability	94V-0
Gender	Male
Glow-Wire Compliant	Yes
Keying to Mating Part	None
Lock to Mating Part	Yes
Material - Resin	Polyester Alloy
Net Weight	11.989/g
Number of Rows	3
Packaging Type	Bag
Panel Mount	No
Pitch - Mating Interface	6.20mm, 7.30mm
Polarized to Mating Part	Yes
Ports	1
Stackable	No



EU RoHS

ELV and RoHS Compliant
REACH SVHC Contains SVHC: No
Low-Halogen Status Not Low-Halogen

China RoHS



Need more information on product environmental compliance?

Email productcompliance@molex.com
 For a multiple part number RoHS Certificate of Compliance, [click here](#)

Please visit the [Contact Us](#) section for any non-product compliance questions.

Search Parts in this Series

[35524Series](#)

Mates With

[35151](#) VersaBlade™ Hybrid Plug Housing,
[35525](#) Tab Female Housing

Use With

[35151](#) VersaBlade™ Hybrid Plug Housing,
[35525](#) Tab Female Housing

Temperature Range - Operating -40°C to +120°C

Electrical

Current - Maximum per Contact 11A

Material Info

Reference - Drawing Numbers

Packaging Specification PK-35524-001

Product Specification PS-35524-001

Sales Drawing SD-35524-001

This document was generated on 06/27/2013

PLEASE CHECK WWW.MOLEX.COM FOR LATEST PART INFORMATION