

**PLEASE CHECK WWW.MOLEX.COM FOR LATEST PART INFORMATION**

**Part Number:** [35524-0924](#)  
**Status:** **Active**  
**Description:** 1.78mm Tab Multiple Male Housing with Ear, 9 Circuits, Vertical, Polyester UL94V-0, Blue

**Documents:**

[3D Model](#) [Packaging Specification PK-35524-001 \(PDF\)](#)  
[Drawing \(PDF\)](#) [RoHS Certificate of Compliance \(PDF\)](#)  
[Product Specification PS-35524-001 \(PDF\)](#)

**General**

Product Family	Crimp Housings
Series	<a href="#">35524</a>
Application	Power, Wire-to-Wire
Comments	Polarized to Mating Part
Product Name	N/A
UPC	756054284476

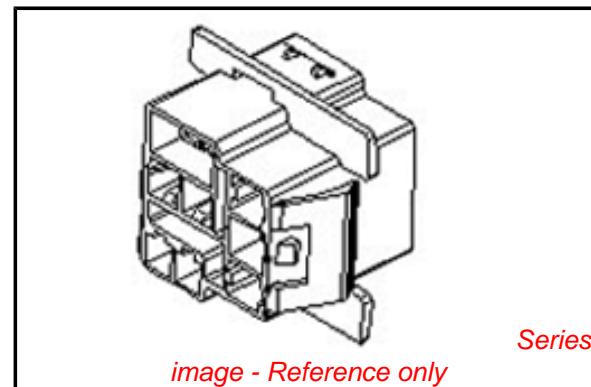
**Physical**

Breakaway	No
Circuits (maximum)	9
Color - Resin	Blue
Gender	Male
Glow-Wire Compliant	No
Keying to Mating Part	None
Lock to Mating Part	Yes
Material - Resin	Polyester
Net Weight	11.501/g
Number of Rows	3
Packaging Type	Bag
Panel Mount	No
Pitch - Mating Interface	6.20mm, 7.30mm
Stackable	No
Temperature Range - Operating	-40°C to +120°C

**Material Info**

**Reference - Drawing Numbers**

Packaging Specification	PK-35524-001
Product Specification	PS-35524-001
Sales Drawing	SD-35524-001



*image - Reference only*

**EU RoHS**

**ELV and RoHS  
Compliant**

**REACH SVHC**

Not Reviewed

**Low-Halogen Status**

**Not Low-Halogen**

**China RoHS**



**Need more information on product  
environmental compliance?**

Email [productcompliance@molex.com](mailto:productcompliance@molex.com)  
 For a multiple part number RoHS Certificate of Compliance, [click here](#)

Please visit the [Contact Us](#) section for any non-product compliance questions.

**Search Parts in this Series**

[35524Series](#)

**Mates With**

[35151](#) VersaBlade™ Hybrid Plug Housing,  
[35525](#) Tab Female Housing

**Use With**

[35151](#) VersaBlade™ Hybrid Plug Housing.  
[35525](#) Tab Female Housing