

PLEASE CHECK WWW.MOLEX.COM FOR LATEST PART INFORMATION

Part Number: [35524-0920](#)
Status: **Active**
Description: 1.78mm Tab Multiple Male Housing with Ear, 9 Circuits, Vertical, Polyester UL94V-0, Natural

Documents:

[3D Model](#) [Packaging Specification PK-35524-001 \(PDF\)](#)
[Drawing \(PDF\)](#) [RoHS Certificate of Compliance \(PDF\)](#)
[Product Specification PS-35524-001 \(PDF\)](#)

General

Product Family	Crimp Housings
Series	35524
Application	Power, Wire-to-Wire
Comments	Polarized to Mating Part
Product Name	N/A
UPC	800754835329

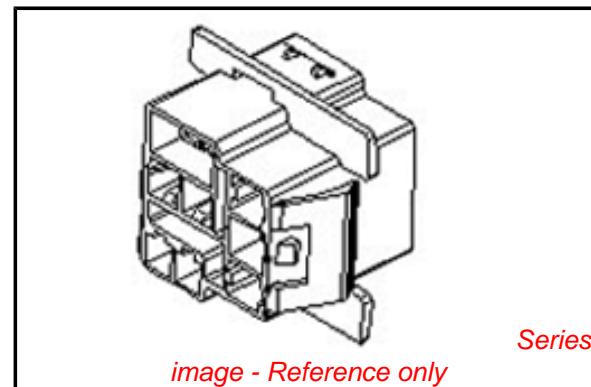
Physical

Breakaway	No
Circuits (maximum)	9
Color - Resin	Natural
Gender	Male
Glow-Wire Compliant	No
Keying to Mating Part	None
Lock to Mating Part	Yes
Material - Resin	Polyester
Net Weight	11.501/g
Number of Rows	3
Packaging Type	Bag
Panel Mount	No
Pitch - Mating Interface	6.20mm, 7.30mm
Stackable	No
Temperature Range - Operating	-40°C to +120°C

Material Info

Reference - Drawing Numbers

Packaging Specification	PK-35524-001
Product Specification	PS-35524-001
Sales Drawing	SD-35524-001



EU RoHS

ELV and RoHS Compliant

REACH SVHC

Not Reviewed

Low-Halogen Status

Not Low-Halogen

China RoHS



Need more information on product environmental compliance?

Email productcompliance@molex.com
 For a multiple part number RoHS Certificate of Compliance, [click here](#)

Please visit the [Contact Us](#) section for any non-product compliance questions.

Search Parts in this Series

[35524Series](#)

Mates With

[35151](#) VersaBlade™ Hybrid Plug Housing,
[35525](#) Tab Female Housing

Use With

[35151](#) VersaBlade™ Hybrid Plug Housing,
[35525](#) Tab Female Housing