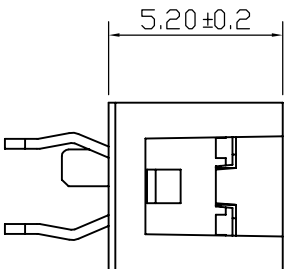
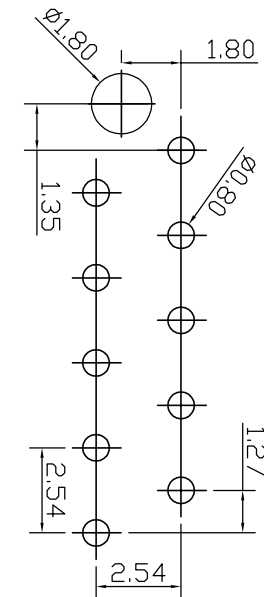
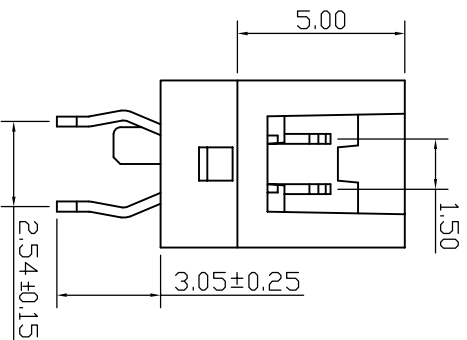
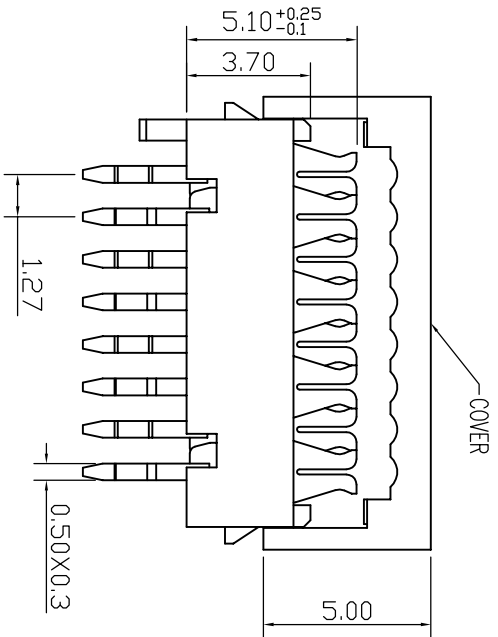


MATERIAL&FINISH

Insulator: PBT Glass Fiber (UL94V-0)
 Contact : Phosphor bronze
 Contact : Sn Over Ni.

ELECTRICAL CHARACTERISTICS:

Current Rating: 1 Amp
 Contact Resistance: 20mΩ Max
 Withstanding Voltage: 500V AC/Min
 Insulation Resistance: 1000MΩ Min
 Temperature Range: -40° C To+105° C



RoHS

REV	DESCRIPTION	DATE
A	RELEASE	2018/8/17

Part number	PINLESS	DIM.A	DIM.B	Q'ty./Tray
3550-04-0101-99	04	8.45	2.54	372
3550-06-0101-99	06	10.99	5.08	288
3550-08-0101-99	08	13.53	7.62	228
3550-10-0101-99	10	16.07	10.16	192
3550-12-0101-99	12	18.61	12.7	168
3550-14-0101-99	14	21.15	15.24	144
3550-16-0101-99	16	23.69	17.78	132
3550-18-0101-99	18	26.23	20.32	120
3550-20-0101-99	20	28.77	22.86	108
3550-22-0101-99	22	31.31	25.40	96
3550-24-0101-99	24	33.85	27.94	84
3550-26-0101-99	26	36.39	30.48	84

Cnc Tech,LLC

Paddle Board Connector

Recommended P.C. Board Layout

UNLESS TOLERANCE		DRAW BY	SCALE	SHEET	UNIT
GENERAL	ANGLE	袁刚	1:1	1/1	MM
X ± 0.38	X' ± 3.0'	DESIGN BY			
.X ± 0.30	.X' ± 2.0'	CHECK BY			
.XX ± 0.25	.XX' ± 1.0'	APPROVE BY			
.XXX ± 0.10	.XXX' ± 0.5'				



ITEM:
 Paddle Board Connector
 DRW NO: 3550-XX-0101-99
 REV: A0