

Product Compliance

[For compliance documentation, visit the product page on TE.com>](#)

EU RoHS Directive 2011/65/EU	Compliant
EU ELV Directive 2000/53/EC	Compliant
China RoHS 2 Directive MIIT Order No 32, 2016	No Restricted Materials Above Threshold
EU REACH Regulation (EC) No. 1907/2006	Current ECHA Candidate List: JUNE 2023 (235) Candidate List Declared Against: JUNE 2023 (235) Does not contain REACH SVHC
Halogen Content	Low Halogen - Br, Cl, F, I < 900 ppm per homogenous material. Also BFR/CFR/PVC Free
Solder Process Capability	Not applicable for solder process capability

Product Compliance Disclaimer

This information is provided based on reasonable inquiry of our suppliers and represents our current actual knowledge based on the information they provided. This information is subject to change. The part numbers that TE has identified as EU RoHS compliant have a maximum concentration of 0.1% by weight in homogenous materials for lead, hexavalent chromium, mercury, PBB, PBDE, DBP, BBP, DEHP, DIBP, and 0.01% for cadmium, or qualify for an exemption to these limits as defined in the Annexes of Directive 2011/65/EU (RoHS2). Finished electrical and electronic equipment products will be CE marked as required by Directive 2011/65/EU. Components may not be CE marked. Additionally, the part numbers that TE has identified as EU ELV compliant have a maximum concentration of 0.1% by weight in homogenous materials for lead, hexavalent chromium, and mercury, and 0.01% for cadmium, or qualify for an exemption to these limits as defined in the Annexes of Directive 2000/53/EC (ELV). Regarding the REACH Regulation, the information TE provides on SVHC in articles for this part number is based on the latest European Chemicals Agency (ECHA) 'Guidance on requirements for substances in articles' posted at this URL: <https://echa.europa.eu/guidance-documents/guidance-on-reach>

Compatible Parts



TE Part # 2150580-2
OCEAN_2.0_Applicator-E-110F150F



TE Part # 7-2150580-2
OCEAN_2.0_Applicator-E-110F150F



KIT
REPRESENTATION ONLY

TE Part # 7-2150580-7
OCEAN_2.0_SPARE_PART_KIT-110F150F



TE Part # 141101-2
RECEIPT CLUSTER



TE Part # 62131-8
CLSTR PIN RCPT

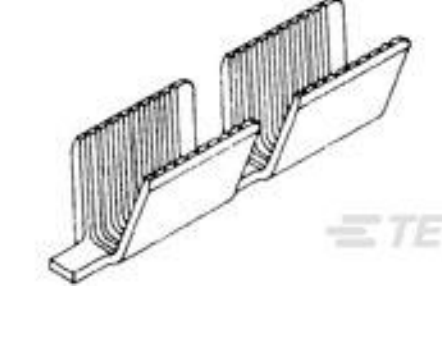
Customers Also Bought



TE Part #179938-1
AMP POWER DBL LOCK PLUG HSG 3P



TE Part #62310-2
AMVAR SPLC 7000-13000 025TPBR



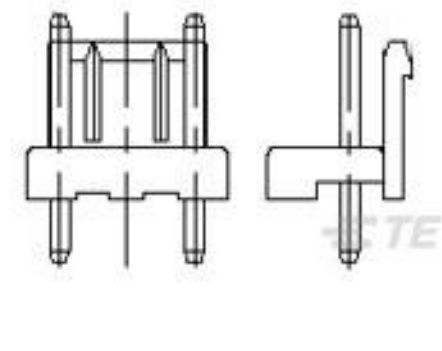
TE Part #62306-2
AMVAR SPLC 1500-5000 020TPBR



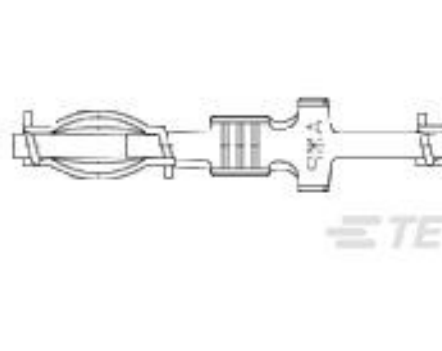
TE Part #316293-1
3.2 CLUSTER BLOCK HSG NATURAL




TE Part #62833-1
MAG-MATE POKE-IN TERM 016TPBR




TE Part #1744103-1
3.96 EPHDR ASSY 3P OMIT #2 PIN




TE Part #170063-2
CLUSTER PIN REC



TE Part #2-21053-5
O RING



TE Part #4-1744104-2
3.96 EPHDR ASSY 4P OMIT #2,3 PIN



TE Part #544076-E
IDCCS SRC 1,27 6 * SPX NXX 1482 PVC

Documents



Product Drawings

2.3 CLUSTER REC AMPLIVAR TYPE

Japanese

CAD Files

Customer View Model

[ENG_CVM_353937-1_E1.3d_igs.zip](#)

English

Customer View Model

[ENG_CVM_353937-1_E1.3d_stp.zip](#)

English

Customer View Model

[ENG_CVM_353937-1_E1.2d_dxf.zip](#)

English

3D PDF

3D

3D PDF

3D

Customer View Model

[ENG_CVM_CVM_353937-1_J.2d_dxf.zip](#)

English

Customer View Model

[ENG_CVM_CVM_353937-1_J.3d_igs.zip](#)

English

Customer View Model

[ENG_CVM_CVM_353937-1_J.3d_stp.zip](#)

English

By downloading the CAD file I accept and agree to the [Terms and Conditions](#) of use.

Datasheets & Catalog Pages

Magnet Wire Terminals & Splices

English

Product Specifications

2.3 DIA Cluster Receptacle AMPLIVAR Type

English

Application Specification

English