

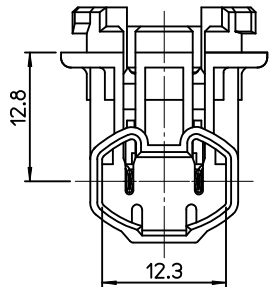
SECTION A-A
(SCALE 4:1)

<NOTE>

- 1. ASSEMBLY PART NO. : 35343-0210
- 2. MATERIAL

NO.	PART NAME	PART NO.	MATERIAL	REMARK	Q'TY
1	SOCKET PLUG	35343-0290	POLYAMIDE(PA66)	GRAY	1
2	TERMINAL	35077-6200	COPPER ALLOY	UN-PLATED	1
		35077-6100			1
3	BULB	-	-	12V W5W/W16W	1

3. *F* DIMENSION (W16W) : 15.5mm



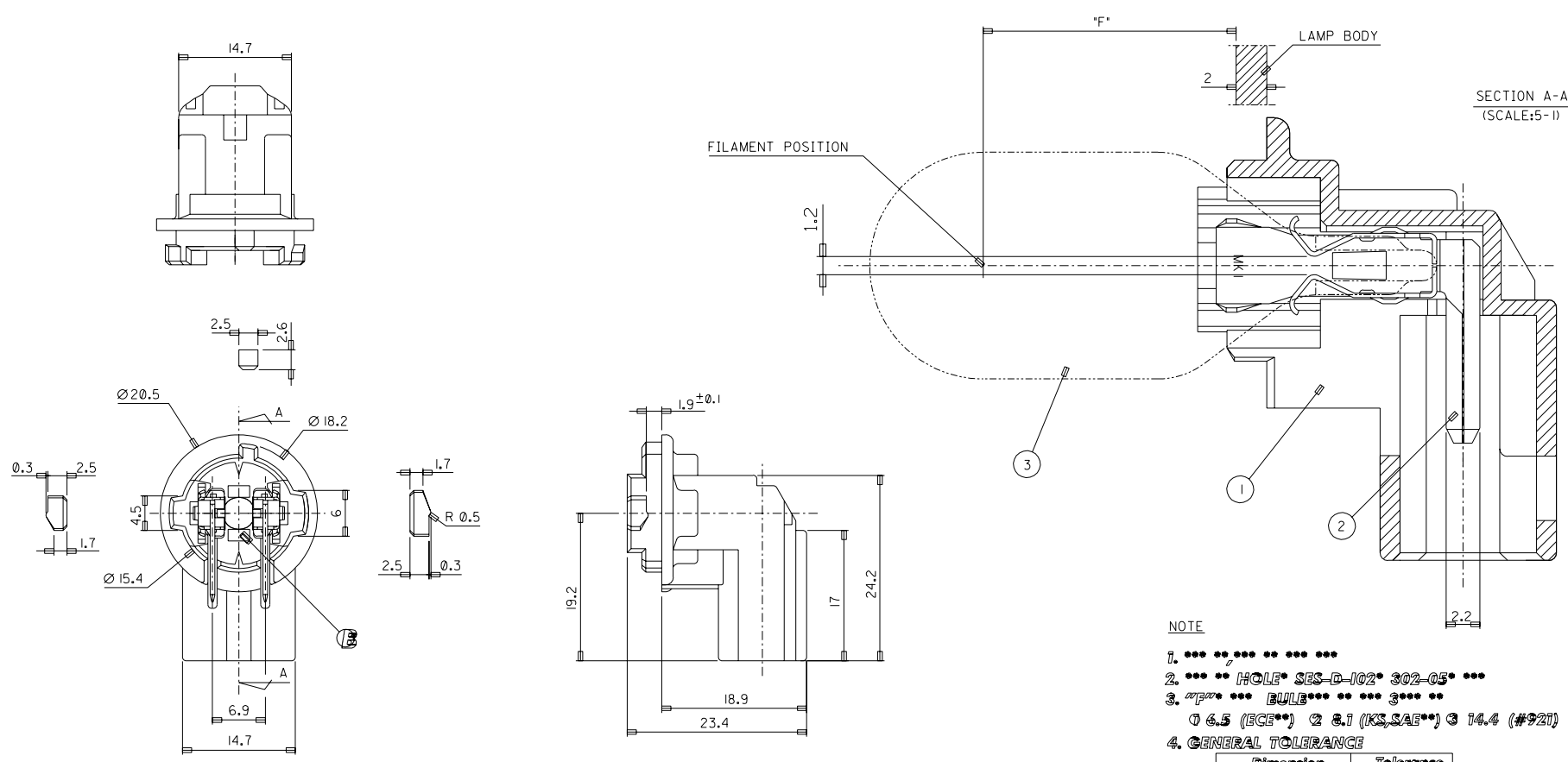
REVISED	EC NO. : KTR2012-0036	2012/02/14	QUALITY SYMBOLS
	DRWN: H1MOON	2012/02/14	
	CHKD: BCY00N	2012/05/04	
	APPR: JHBAE	2012/05/04	
REV	DESCRIPTION		

DRAFT WHERE APPLICABLE MUST REMAIN WITHIN DIMENSIONS	GENERAL TOLERANCES (UNLESS SPECIFIED)	
	mm	INCH
	4 PLACES	± --- ± ---
	3 PLACES	± --- ± ---
	2 PLACES	± --- ± ---
1 PLACE	± 0.25 ± ---	
	ANGULAR ± 1 °	

DIMENSION STYLE MM ONLY	
DRAWN BY KSKIM	DATE 1996/01/05
CHECKED BY JKOH	DATE 1996/01/05
APPROVED BY CWLEE	DATE 1996/01/05
MATERIAL NO. 353430210	

SCALE 2:1	DESIGN UNITS METRIC	THIRD ANGLE PROJECTION
TITLE HMS BULB CONN. HEADER		
MOLEX INCORPORATED		SHEET NO. 1 OF 1
DOCUMENT NO. SD-35343-001		
THIS DRAWING CONTAINS INFORMATION THAT IS PROPRIETARY TO MOLEX INCORPORATED AND SHOULD NOT BE USED WITHOUT WRITTEN PERMISSION		

PROJECT NO. SIMILAR ITEM DWG. NO.
 DO NOT SCALE DRAWING DIMENSION IN METRIC

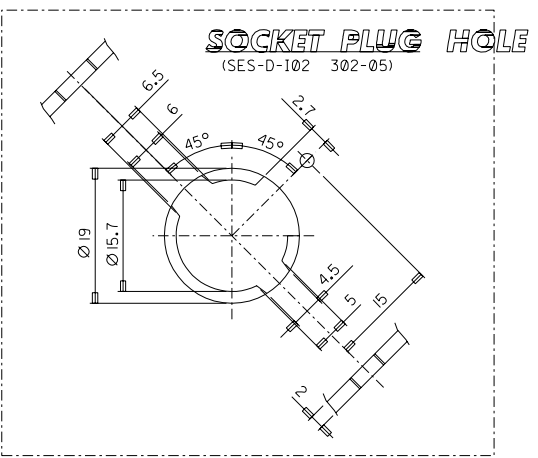


SECTION A-A
(SCALE:5-1)

NOTE

1. HOLE SES-D-102* 302-05**
 2. BULB**
 3. GENERAL TOLERANCE
- ① 6.5 (ECE**) ② 8.1 (KS,SAE**) ③ 14.4 (#92T)

Dimension	Tolerance
LESS 4	+0.2
4 TO 8	+0.25
8 TO 16	+0.3
16 TO 32	+0.4
32 TO 63	+0.5
63 TO 126	+0.6
DRAFT ANGLE	LESS 1° 30'



NO	DESCRIPTION	Q'TY	MATERIAL	FINISH	REMARKS
3	BULB	1	---	---	12V 3.8W 18W
2	TERMINAL	2	Cu-ALLOY	NON-PLATED	---
1	SOCKET PLUG	1	NYLON 6	---	GRAY

REVISED EC NO. KOR 1999-0011 DRAWN: YSKIM (990424) CHK: JKOH APPR: CWLEE	QUALITY SYMBOLS MAJOR CRITICAL	GENERAL TOLERANCES: (UNLESS SPECIFIED): mm ± INCH ±	SCALE 2.5-1 DESIGN UNITS <input checked="" type="checkbox"/> mm <input type="checkbox"/> INCH	DIMENSIONS: <input type="checkbox"/> mm <input checked="" type="checkbox"/> INCH <input type="checkbox"/> mm ONLY	THIRD ANGLE PROJECTION
		4 PLACES ±0. ±. 3 PLACES ±0. ±. 2 PLACES ±0. ±. 1 PLACE ±0.25 ±.	DRAWN BY & DATE K.S.KIM 960105 CHECKED BY & DATE JKOH APPROVED BY & DATE CWLEE	TITLE: HMS BULB SOCKET	MOLEX INCORPORATED KOREA
CAD FILENAME SD35343.DGN		MATERIAL NO. SD 35343-0210		SHEET NO. 1 OF 1	
DRAFT WHERE APPLICABLE MUST REMAIN WITHIN DIMENSIONS		THIS DRAWING CONTAINS INFORMATION THAT IS PROPRIETARY TO MOLEX INCORPORATED AND SHOULD NOT BE USED WITHOUT WRITTEN PERMISSION.			SIZE C