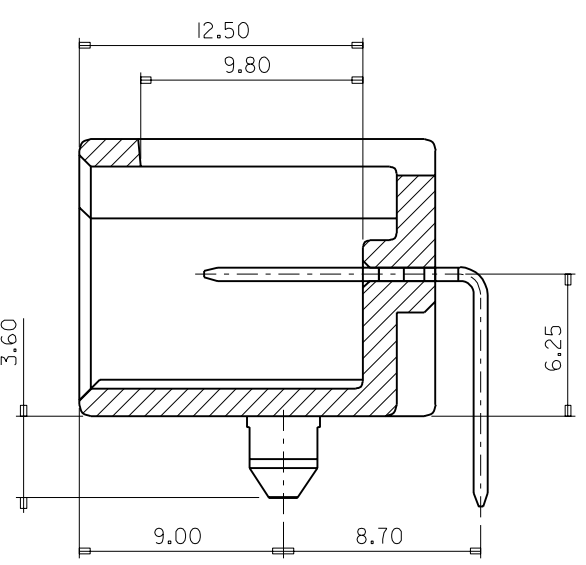
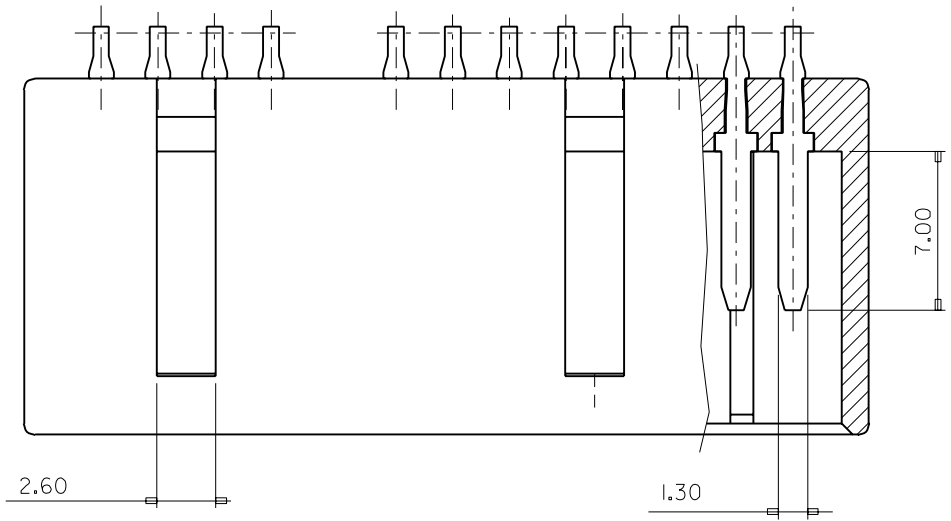


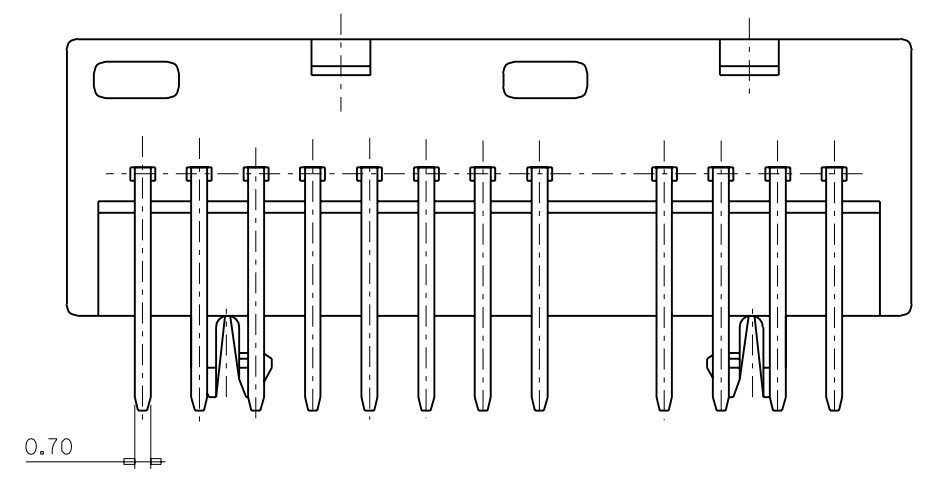
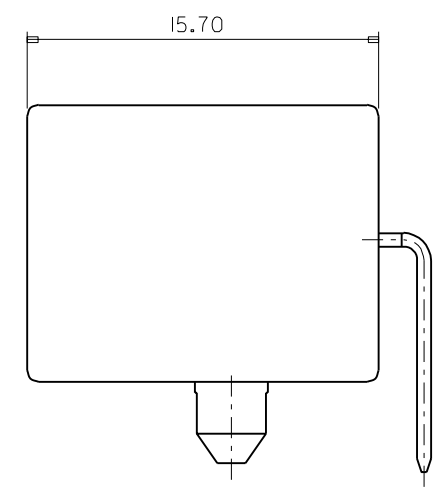
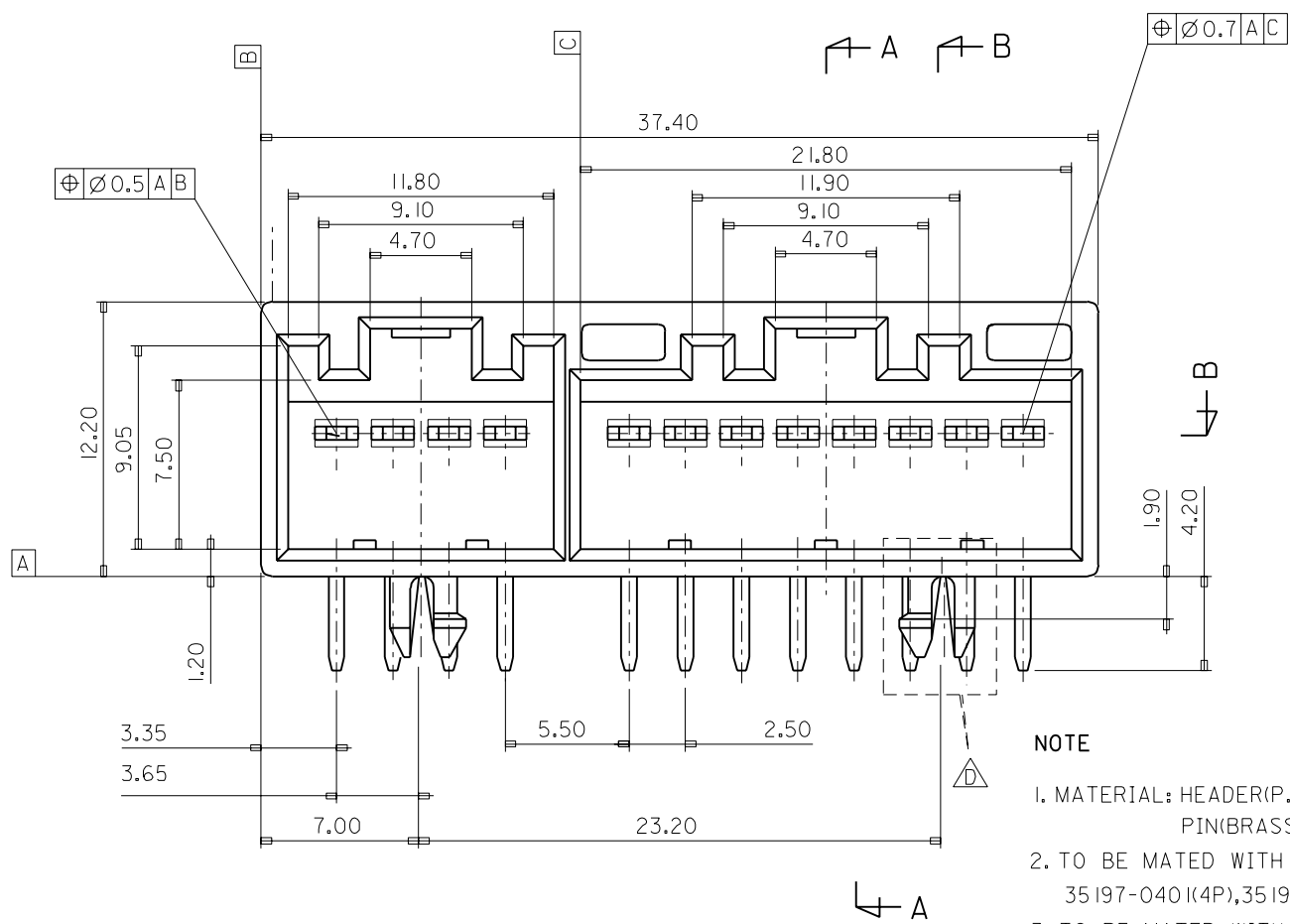
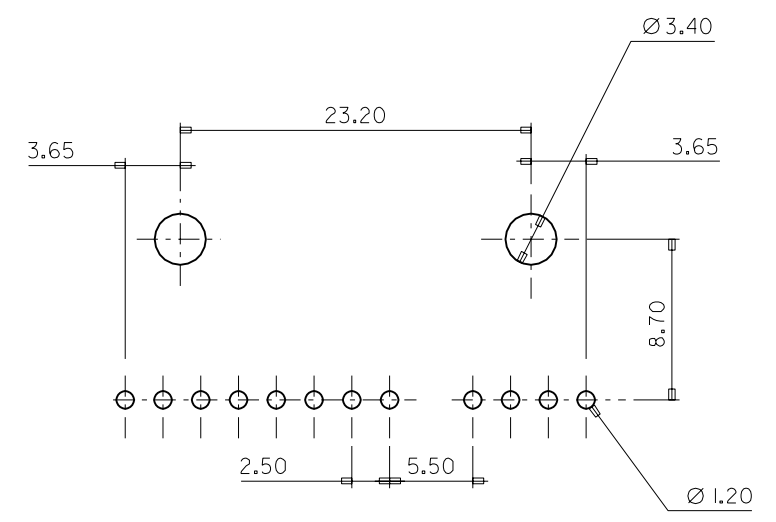
DWG. NO. SD-35339-001
 SIMILAR ITEM
 PROJECT NO.
 C
 B
 DO NOT SCALE DRAWING DIMENSION IN METRIC

SECTION B-B



SECTION A-A

RECOMMENDED P.C.BOARD PATTEN(S=2:1)
 (THK:1.6) (TOLERANCE: ±0.1)



- NOTE**
- MATERIAL: HEADER(P.B.T G/F 5%)
PIN(BRASS)
 - TO BE MATED WITH FEMALE HOUSING:
35197-040 (4P), 35198-080 (8P)
 - TO BE MATED WITH FEMALE TERMINAL: 50418-8*00

NO.	PIN PLATING	ENG. NO.	MATERIAL NO.	COLOR(HEADER)
1	PRE-TIN	35339-1210	353391210	WHITE
2	PRE-TIN	35339-1211	353391211	BLACK
3	PRE-TIN	35339-1215	353391215	GRAY
4	PRE-TIN	35339-1216	353391216	GREEN
5	AU	35339-1251	353391251	BLACK
6	SnPb	35339-1241	353391241	BLACK

D	REV	DESCRIPTION

QUALITY SYMBOLS	MAJOR	
	CRITICAL	

GENERAL TOLERANCES: (UNLESS SPECIFIED)	mm	INCH
4 PLACES	±0.	±.
3 PLACES	±0.	±.
2 PLACES	±0.3	±.
1 PLACE	±0.	±.
ANGULAR: ± 1 °		
DRAFT WHERE APPLICABLE MUST REMAIN WITHIN DIMENSIONS		

SCALE 3:1	DESIGN UNITS <input checked="" type="checkbox"/> mm <input type="checkbox"/> INCH	THIRD ANGLE PROJECTION <input checked="" type="checkbox"/> <input type="checkbox"/>	DIMENSIONS: <input type="checkbox"/> mm <input type="checkbox"/> INCH <input checked="" type="checkbox"/> mm ONLY	SHT	REV
DRAWN BY & DATE H.C.RHO.95.11.07		TITLE: .050 W/B HEADER ASS'Y 12P			
CHECKED BY & DATE H.C.RHO.95.11.07		MOLEX INCORPORATED KOREA			
APPROVED BY & DATE C.W.LEE. 95.11.07					
CAD FILENAME SD35339	MATERIAL NO. SEE NOTE	DRAWING NO. SD-35339-001	SHEET NO. 1 OF 1	SIZE B	
THIS DRAWING CONTAINS INFORMATION THAT IS PROPRIETARY TO MOLEX INCORPORATED AND SHOULD NOT BE USED WITHOUT WRITTEN PERMISSION.					