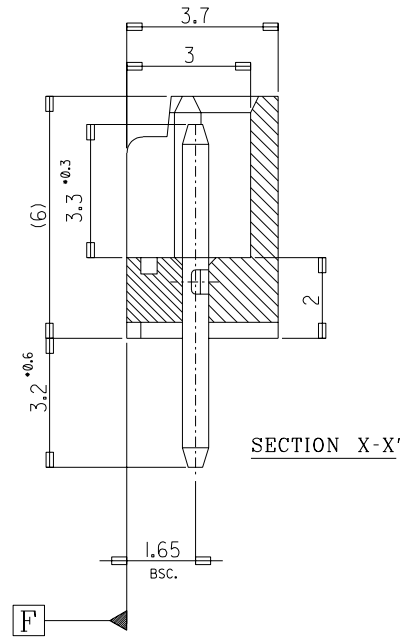
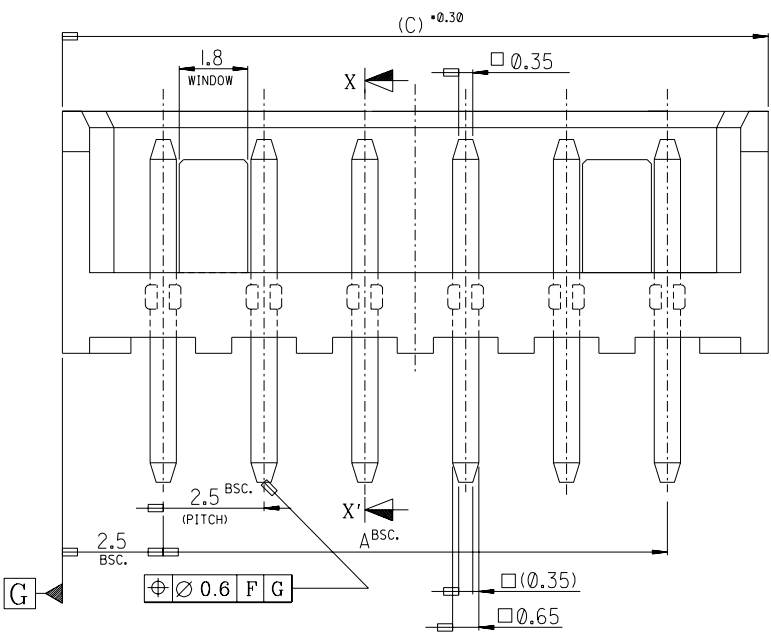
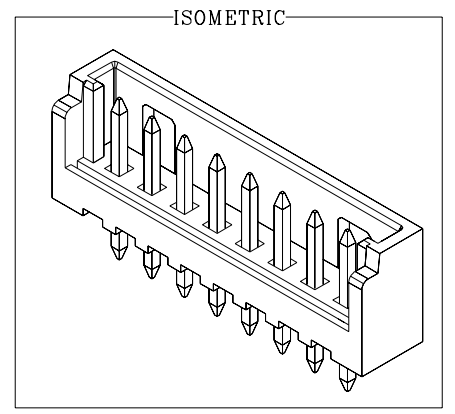
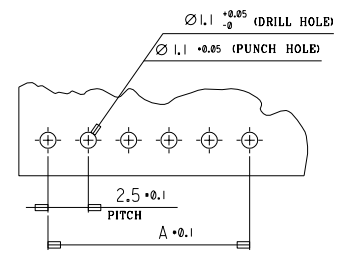
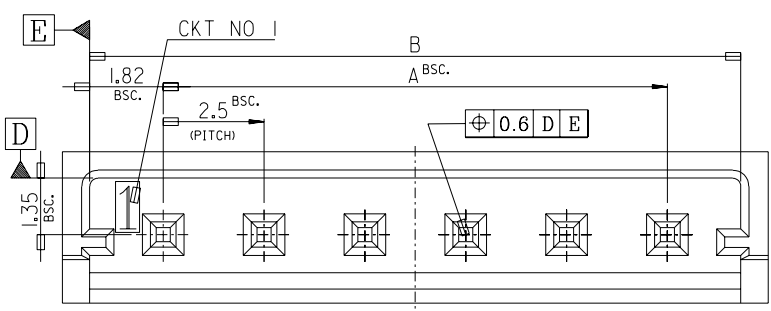


DO NOT SCALE DRAWING
DIMENSION IN METRIC

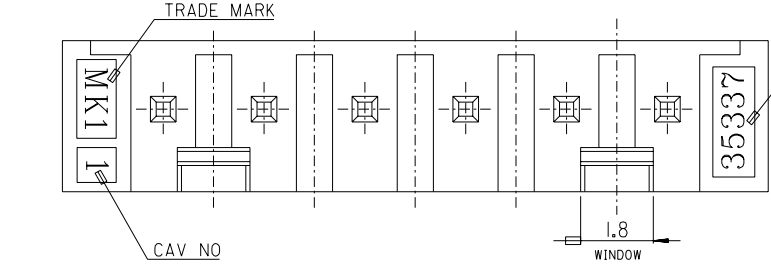
PROJECT NO. 35337-**-20

SIMILAR ITEM 35337-**-20

DWG. NO. SD-35337-002



- NOTES**
- MATERIAL
WAFER : PBT. UL94V-0, NATURAL COLOR
PIN : BRASS, Sn PLATED
 - MATING HOUSING : 35238-**-10
 - CAMBER : 0.12 MAX.



40	38.64	35	353371560	35337-1560	15
37.5	36.14	32.5	1460	-1460	14
35	33.64	30	1360	-1360	13
32.5	31.14	27.5	1260	-1260	12
30	28.64	25	1160	-1160	11
27.5	26.14	22.5	1060	-1060	10
25	23.64	20	0960	-0960	9
22.5	21.14	17.5	0860	-0860	8
20	18.64	15	0760	-0760	7
17.5	16.14	12.5	0660	-0660	6
15	13.64	10	0560	-0560	5
12.5	11.14	7.5	0460	-0460	4
10	8.64	5	353370360	35337-0360	3
C	B	A	MATERIAL NO.	ENG. NO.	CKT.

LEAD FREE

RELEASED EC NO. KOR2004-0137 DRWN: K.S.KIM 040223 CHK: J.K.OH APPR: C.W.LEE	DESCRIPTION MAJOR CRITICAL	QUALITY SYMBOLS		GENERAL TOLERANCES: (UNLESS SPECIFIED)		SCALE 8 : 1	DESIGN UNITS <input checked="" type="checkbox"/> mm <input type="checkbox"/> INCH	THIRD ANGLE PROJECTION	DIMENSIONS: <input type="checkbox"/> mm <input type="checkbox"/> INCH <input checked="" type="checkbox"/> mm ONLY		SHT	REV
		4 PLACES	±.	±.	mm	INCH	DRAWN BY & DATE K.S.KIM	TITLE: 2.5 PITCH B/B CONN. WAFER ASS'Y(LEAD FREE)				
A	REV	3 PLACES	±.	±.	mm	INCH	CHECKED BY & DATE J.K.OH	MOLEX INCORPORATED				
		2 PLACES	±.	±.	mm	INCH	APPROVED BY & DATE C.W.LEE	CAD FILENAME SD-35337-002.DGN	MATERIAL NO. SEE TABLE	DRAWING NO. SD-35337-002	SHEET NO. 1 OF 1	SIZE B
		1 PLACE	±0.3	±.	mm	INCH	ANGULAR: ± 1 °		THIS DRAWING CONTAINS INFORMATION THAT IS PROPRIETARY TO MOLEX INCORPORATED AND SHOULD NOT BE USED WITHOUT WRITTEN PERMISSION.			
		DRAFT WHERE APPLICABLE MUST REMAIN WITHIN DIMENSIONS										