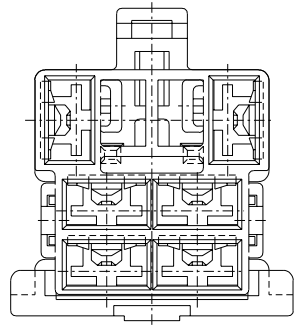
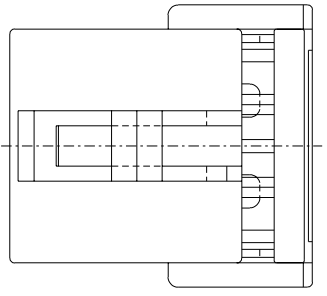
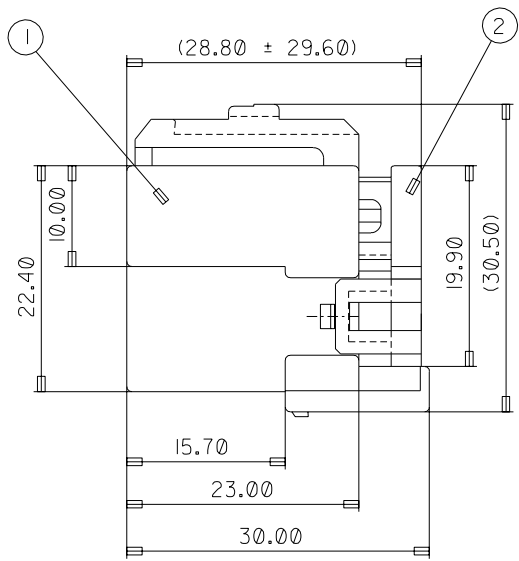
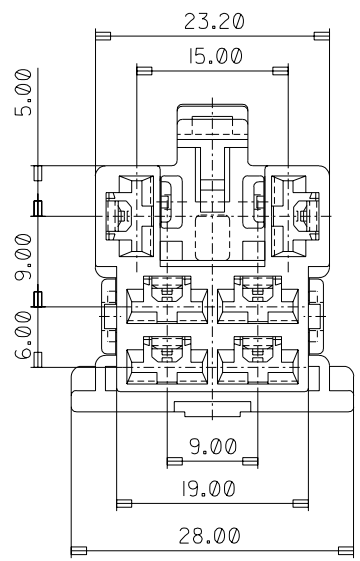


DO NOT SCALE DRAWING DIMENSION IN METRIC

PROJECT NO. SIMILAR ITEM DWG. NO. SD 35278-001

	P/NO.	PART NAME	MATERIAL	COLOR
△ B	35278-0690	POWERMATE RLY FEMALE HSG 6P	POLYESTER	NATURAL
①	35278-0697	POWERMATE RLY FEMALE HSG 6P	POLYESTER	BROWN
②	35279-0680	POWERMATE RLY FEMALE TPA 6P	POLYESTER	NATURAL

* APPLICABLE TERMINAL : 35427-97**,98**,99**
35430-1700,1800,1900



MATERIAL NO.	ENG. NO.
352780610	35278-0610
352780617	35278-0617

REVISED	DESCRIPTION	MAJOR	CRITICAL
EC NO. KOR2004-00070 DRWN: S.M.KIM 04/01/08 CHK: B.C.YOON 04/01/08 APPR: C.W.LEE		▲	▽
B			

QUALITY SYMBOLS		GENERAL TOLERANCES: (UNLESS SPECIFIED)	
4 PLACES	±0.	mm	INCH
3 PLACES	±0.		
2 PLACES	±0.3		
1 PLACE	±0.		
ANGULAR: ±3 °			
DRAFT WHERE APPLICABLE MUST REMAIN WITHIN DIMENSIONS			

SCALE	DESIGN UNITS	TITLE:
2 : 1	<input checked="" type="checkbox"/> mm <input type="checkbox"/> INCH	POWERMATE RLY FEMALE ASS'Y 6P
DRAWN BY & DATE		MATERIAL NO. DRAWING NO. SHEET NO.
J.K.OH 97/09/22		
CHECKED BY & DATE		SD 35278-001 1/1
B.K.CHOI 97/09/22		
APPROVED BY & DATE		
C.W.LEE 97/09/22		

DIMENSIONS:		SHT	REV
<input type="checkbox"/> mm <input type="checkbox"/> INCH	<input checked="" type="checkbox"/> mm ONLY		
THIRD ANGLE PROJECTION			REVISE ON CAD ONLY
MOLEX INCORPORATED			
CAD FILENAME			
SD352786P.DGN			

THIS DRAWING CONTAINS INFORMATION THAT IS PROPRIETARY TO MOLEX INCORPORATED AND SHOULD NOT BE USED WITHOUT WRITTEN PERMISSION.

DWG. NO.
SD 35278-0617

SIMILAR ITEM

PROJECT NO.

C

B

DO NOT SCALE DRAWING
DIMENSION IN METRIC

8

7

6

5

4

3

2

1

F

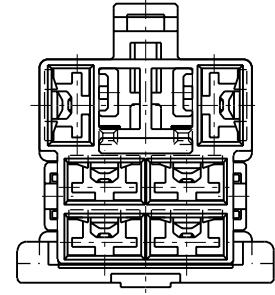
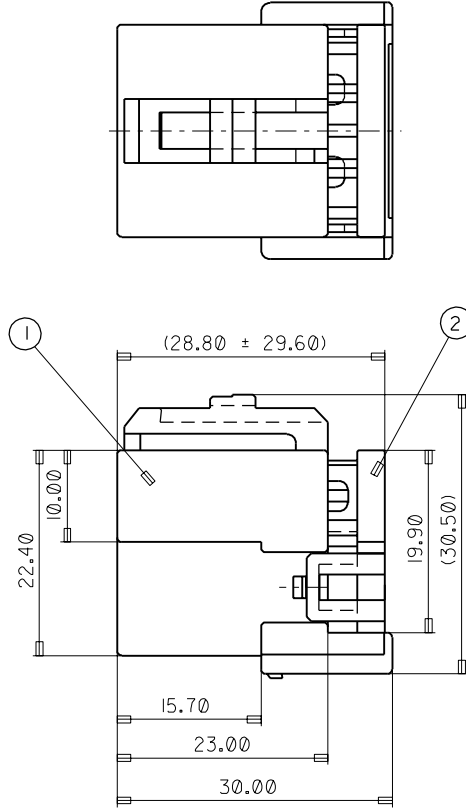
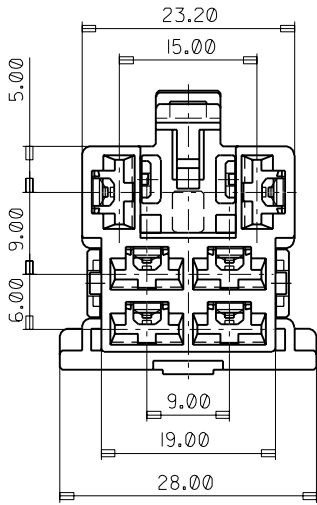
E

D

C

B

A



	P/NO.	PART NAME	MATERIAL
①	35278-0697	POWERMATE RLY FEMALE HSG 6P	PBT BROWN COLOR
②	35279-0680	POWERMATE RLY FEMALE TPA 6P	PBT NATURAL COLOR

• APPLICABLE TERMINAL : 35427-97**.,98**,99**
35430-1700,1800,1900

NEW RELEASE
EC NO. KOR1998-0085
DRWN: J.K OH 98.6.2
CHK: J.K OH 98.6.2
APPR:

DESCRIPTION
MAJOR
CRITICAL

	GENERAL TOLERANCES: (UNLESS SPECIFIED)	
	mm	INCH
4 PLACES	±0.	±.
3 PLACES	±0.	±.
2 PLACES	±0.3	±.
1 PLACE	±0.	±.
ANGULAR: ±3 °		

SCALE 2 : 1
DESIGN UNITS mm INCH
DRAWN BY & DATE 970922 J.K.OH
CHECKED BY & DATE
APPROVED BY & DATE

THIRD ANGLE PROJECTION
DIMENSIONS: mm INCH mm ONLY
TITLE: POWERMATE RLY FEMALE ASS'Y 6P
MOLEX INCORPORATED KOREA

SHT	REV
	REVISE ON CAD ONLY
CAD FILENAME	MATERIAL NO. 352-78-0617
DRAWING NO. SD 35278-0617	SHEET NO. 1/1
THIS DRAWING CONTAINS INFORMATION THAT IS PROPRIETARY TO MOLEX INCORPORATED AND SHOULD NOT BE USED WITHOUT WRITTEN PERMISSION.	
SIZE B	

8

7

6

5

4

3

2

MX-A3