

PROJECT NO.

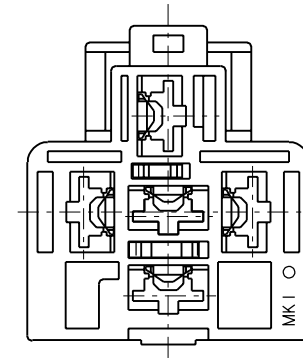
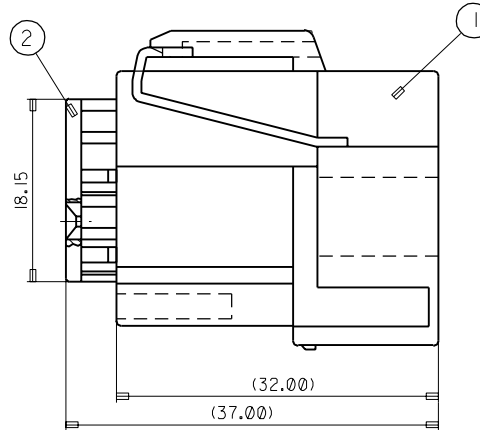
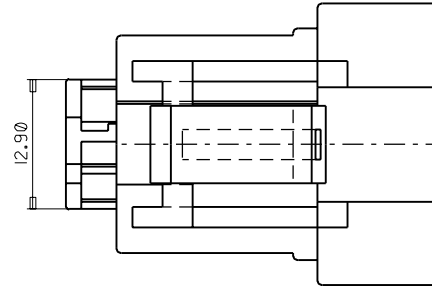
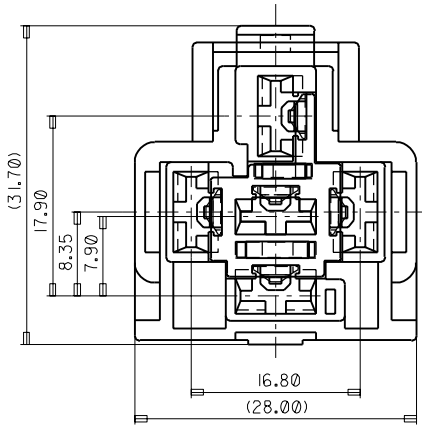
SIMILAR ITEM

EDP NO.

ENG. NO

SD 35278-0511

8 7 6 5 4 3 2 1



	P/NO.	PART NAME	MATERIAL
①	35278-0591	POWERMATE FEMALE HSG 5P (for relay)	PBT
②	35279-0580	POWERMATE FEMALE TPA 5P (for relay)	PBT

\* APPLICABLE TERMINAL : 35427-97\*\*,98\*\*,99\*\*  
35430-1700,1800,1900

			MATERIAL SEE TABLE		MOLEX-KOREA CO.,LTD.	
			GENERAL TOLERANCE DIMENSION : *0.30		DRAWN BY J.K.OH	
			ANGLE :		CHK'D BY	
			DIMENSION CLASSIFICATION		APP'D BY	
			▽ : CRITICAL ▼ : MAJOR		SCALE 2:1	
			( ) : REFERENCE		TITLE :	
A NEW RELEASE			971117		POWERMATE RLY FEMALE ASSY 5P	
LTR REVISION RECORD			ECN DATE		SHEET 1/1	
REVISE ONLY ON CAD SYSTEM			DESCRIPTION ENG. NO.		ENG. NO. SD 35278-051*	
					REV A	