

PLEASE CHECK WWW.MOLEX.COM FOR LATEST PART INFORMATION

Part Number: [35191-0200](#)
Status: **Active**
Description: 7.92mm Pitch Housing: Positive Locking

Documents:

[3D Model](#) [Packaging Specification PK-35191-001 \(PDF\)](#)
[Drawing \(PDF\)](#) [RoHS Certificate of Compliance \(PDF\)](#)
[Product Specification PS-35191-003 \(PDF\)](#)

Agency Certification

CSA LR19980
TUV R72081037
UL E29179

General

Product Family Crimp Housings
Series [35191](#)
Application Power, Wire-to-Board
Product Name N/A
UPC 800753748835

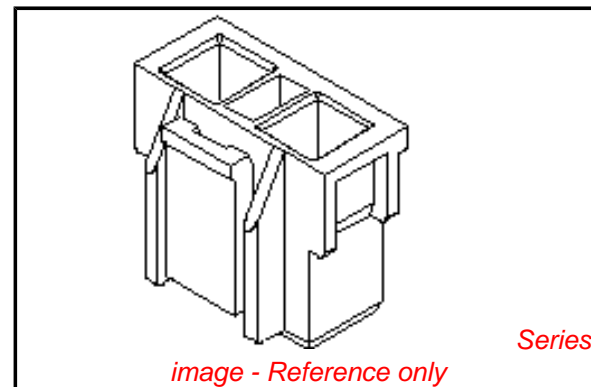
Physical

Circuits (maximum) 2
Color - Resin Natural
Flammability 94V-0
Gender Female
Glow-Wire Compliant No
Material - Resin Polyester
Net Weight 0.875/g
Number of Rows 1
Packaging Type Bag
Panel Mount No
Pitch - Mating Interface 7.92mm
Stackable No
Temperature Range - Operating -40°C to +105°C

Material Info

Reference - Drawing Numbers

Packaging Specification PK-35191-001
Product Specification PS-35191-003
Sales Drawing SD-35191-0200



EU RoHS

**ELV and RoHS
Compliant**

REACH SVHC

Not Reviewed

Low-Halogen Status

Not Low-Halogen

China RoHS



**Need more information on product
environmental compliance?**

Email productcompliance@molex.com
For a multiple part number RoHS Certificate of Compliance, [click here](#)

Please visit the [Contact Us](#) section for any non-product compliance questions.

Search Parts in this Series

[35191Series](#)

Mates With

[353280210](#)

Use With

[35069](#)