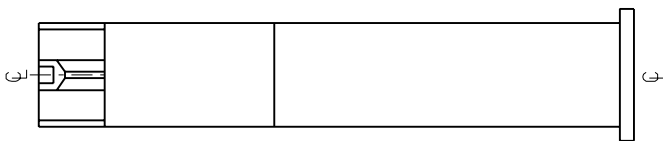
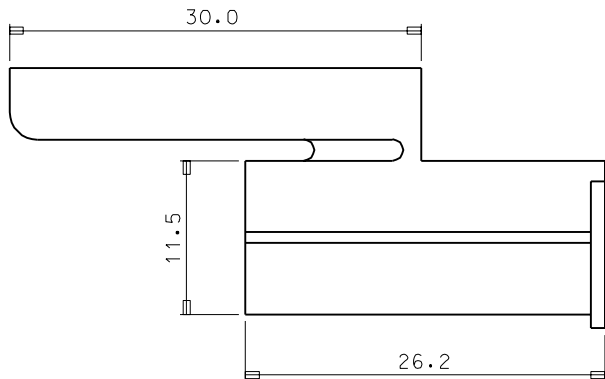
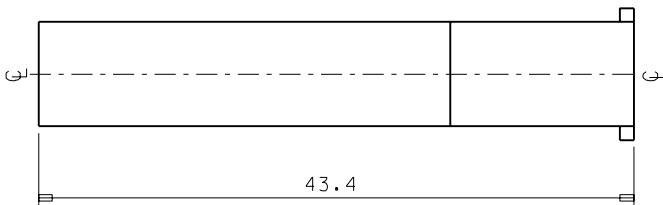
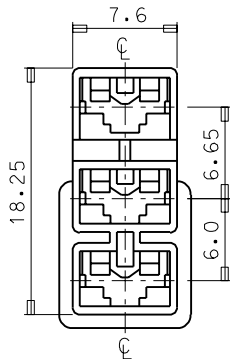
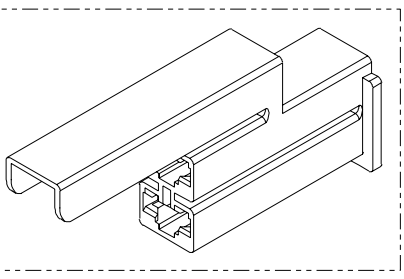


ENG. NO SD 35189-036\*

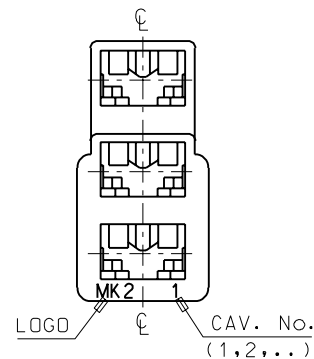
EDP NO.

SIMILAR ITEM

PROJECT NO.  
.187 MP-LOCK CONN'



- NOTES
- MATERIAL : NYLON  
35189-0360 (UL94V-2)  
35189-0361 (UL94V-0)
  - COLOR : NATURAL
  - APPLICABLE TERMINAL : 35068-9\*\*2



				MATERIAL SEE NOTES		MOLEX-KOREA CO.,LTD.	
				GENERAL TOLERANCE DIMENSION : ±0.3		DRAWN BY J.S.KANG	
				ANGLE : $\pm$		CHK'D BY	
B	REVISED	96-13/96	12.24	DIMENSION CLASSIFICATION		APP'D BY	
A	NEW RELEASED		4.17	▽ : CRITICAL ▾ : MAJOR ( ) : REFERENCE		SCALE 3/1	
LTR	REVISION RECORD	ECN	DATE	ASS'Y PART DESCRIPTION ENG. NO.		TITLE : .187 MP-LOCK HSG-3P (FOR MICRO SWITCH)	
REVISE ONLY ON CAD SYSTEM				---		SHEET 1 of 1 REV B ENG. NO. SD 35189-036*	