

PLEASE CHECK WWW.MOLEX.COM FOR LATEST PART INFORMATION

Part Number: [0351840590](#)
Status: **Active**
Description: 2.50mm Pitch Wire-to-Wire Plug Housing, Natural, PBT/PC, 5 Circuits

Documents:

[3D Model](#) [Packaging Specification PK-35184-001 \(PDF\)](#)
[Drawing \(PDF\)](#) [RoHS Certificate of Compliance \(PDF\)](#)

Agency Certification

CSA LR19980
 UL E29179

General

Product Family Crimp Housings
 Series 35184
 Application Signal, Wire-to-Wire
 Product Name N/A
 UPC 822350825146

Physical

Breakaway No
 Circuits (maximum) 5
 Color - Resin Natural
 Flammability 94V-0
 Gender Male
 Glow-Wire Compliant No
 Keying to Mating Part None
 Lock to Mating Part Yes
 Material - Resin Polyester Alloy
 Net Weight 0.870/g
 Number of Rows 1
 Packaging Type Bag
 Panel Mount No
 Pitch - Mating Interface 2.50mm
 Pitch - Termination Interface 2.50mm
 Polarized to Mating Part Yes
 Ports 1
 Stackable No
 Temperature Range - Operating -40°C to +105°C

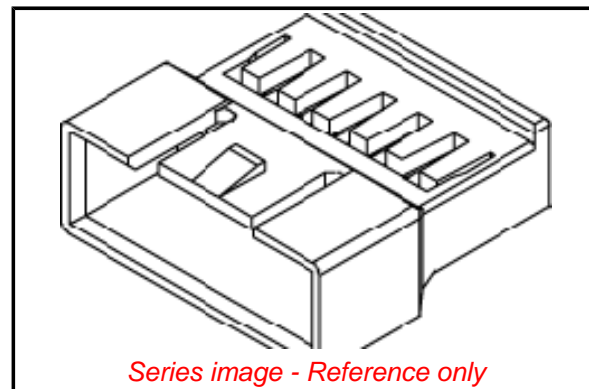
Electrical

Current - Maximum per Contact 2.5A

Material Info

Reference - Drawing Numbers

Packaging Specification PK-35184-001
 Sales Drawing SD-35184-**0*



EU ELV

Not Relevant

EU RoHS

Compliant

China RoHS

REACH SVHC

Contains SVHC(2014 December 17): No

Halogen-Free

Status

Not Low-Halogen

Need more information on product environmental compliance?

Email productcompliance@molex.com
 Please visit the [Contact Us](#) section for any non-product compliance questions.

China ROHS

Green Image

ELV

Not Relevant

Search Parts in this Series

[35184 Series](#)

Mates With

[35155 Wire-to-Board Housing](#), [35572 Wire-to-Wire and Wire-to-Board Housing](#)

Use With

[35053 Wire-to-Wire Terminal](#)