

PLEASE CHECK WWW.MOLEX.COM FOR LATEST PART INFORMATION

Part Number: [0351840402](#)
Status: **Active**
Description: 2.50mm Pitch Wire-to-Wire Plug Housing, Red, 4 Circuits

Documents:

[3D Model](#) [Packaging Specification PK-35184-001-001 \(PDF\)](#)
[Drawing \(PDF\)](#) [RoHS Certificate of Compliance \(PDF\)](#)

Agency Certification

CSA LR19980
 UL E29179

General

Product Family Crimp Housings
 Series 35184
 Application Signal, Wire-to-Wire
 Product Name N/A
 UPC 756054258583

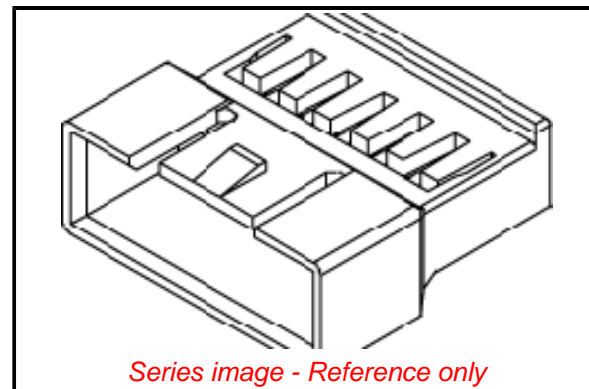
Physical

Breakaway No
 Circuits (maximum) 4
 Color - Resin Natural
 Flammability 94V-0
 Gender Plug
 Glow-Wire Capable No
 Keying to Mating Part None
 Lock to Mating Part Yes
 Material - Resin Nylon
 Net Weight 0.741/g
 Number of Rows 1
 Packaging Type Bag
 Panel Mount No
 Pitch - Mating Interface 2.50mm
 Pitch - Termination Interface 2.50mm
 Temperature Range - Operating -40° to +105°C

Material Info

Reference - Drawing Numbers

Packaging Specification PK-35184-001-001
 Sales Drawing SD-35184-XX0X



EU ELV

Not Relevant

EU RoHS

Compliant

REACH SVHC

Contained Per -
 ED/01/2018 (15
 January 2018)
 Dodecachloropentacyclo[12.2.1.16,9.02,13.05,10]o

Halogen-Free

Status

Not Low-Halogen

For more information, please visit [Contact US](#)

China ROHS	Green Image
ELV	Not Relevant
RoHS Phthalates	Not Contained

Search Parts in this Series

[35184 Series](#)

Mates With

[35155](#) Wire-to-Board Housing, [35572](#) Wire-to-Wire and Wire-to-Board Housing

Use With

[35053](#) Wire-to-Wire Terminal

PLEASE CHECK WWW.MOLEX.COM FOR LATEST PART INFORMATION