

PLEASE CHECK WWW.MOLEX.COM FOR LATEST PART INFORMATION

Part Number: [35183-0417](#)
Status: **Active**
Description: 8.00/10.00mm Pitch, 2.36 Dia. Pin Housing, 4 Circuits

Documents:

[3D Model](#) [Packaging Specification PK-35183-001 \(PDF\)](#)
[Drawing \(PDF\)](#) [RoHS Certificate of Compliance \(PDF\)](#)
[Product Specification PS-35183-001 \(PDF\)](#)

Agency Certification

| | |
|-----|-----------|
| CSA | LR19980 |
| TUV | R72081037 |
| UL | E29179 |

General

| | |
|----------------|-----------------------|
| Product Family | Crimp Housings |
| Series | 35183 |
| Application | Power, Wire-to-Wire |
| Product Name | N/A |
| UPC | 800753876941 |

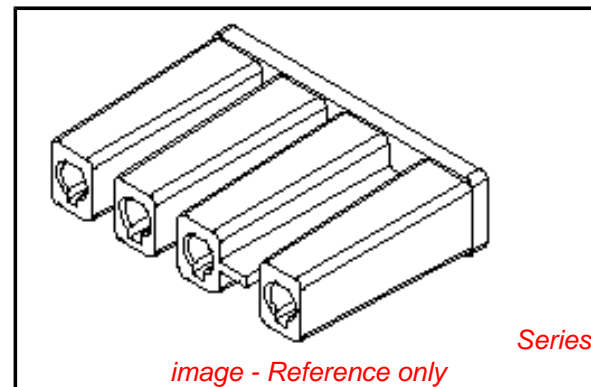
Physical

| | |
|-------------------------------|-----------------|
| Circuits (maximum) | 4 |
| Flammability | 94V-1 |
| Gender | Female |
| Glow-Wire Compliant | No |
| Net Weight | 2.453/g |
| Number of Rows | 1 |
| Packaging Type | Bag |
| Panel Mount | No |
| Pitch - Mating Interface | 10.00mm, 8.00mm |
| Temperature Range - Operating | -25°C to +85°C |

Material Info

Reference - Drawing Numbers

| | |
|-------------------------|--------------|
| Packaging Specification | PK-35183-001 |
| Product Specification | PS-35183-001 |
| Sales Drawing | SD-35183-041 |



EU RoHS

**ELV and RoHS
Compliant**

REACH SVHC

Not Reviewed

Low-Halogen Status

Low-Halogen

China RoHS



**Need more information on product
environmental compliance?**

Email productcompliance@molex.com
 For a multiple part number RoHS Certificate of
 Compliance, [click here](#)

Please visit the [Contact Us](#) section for any
 non-product compliance questions.

Search Parts in this Series

[35183Series](#)

Use With

[35716](#)