

PLEASE CHECK WWW.MOLEX.COM FOR LATEST PART INFORMATION

Part Number: [35181-0220](#)
Status: **Active**
Description: 1.78mm Tab Multiple Wire-to-Wire Female Housing, 2 Circuits, Vertical, Type C

Documents:

[3D Model](#) [Product Specification PS-35182-003 \(PDF\)](#)
[Drawing \(PDF\)](#) [RoHS Certificate of Compliance \(PDF\)](#)

Agency Certification

CSA LR19980
 UL E29179

General

Product Family Crimp Housings
 Series [35181](#)
 Application Power, Wire-to-Wire
 Product Name N/A
 UPC 800754376112

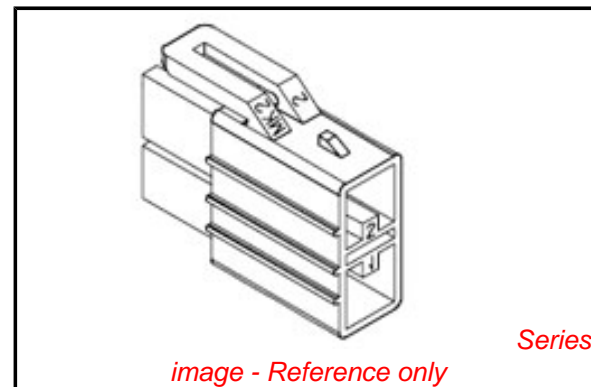
Physical

Circuits (maximum) 2
 Color - Resin Natural
 Flammability 94V-0
 Gender Female
 Glow-Wire Compliant No
 Material - Resin Polyester
 Net Weight 1.700/g
 Number of Rows 2
 Packaging Type Bag
 Panel Mount No
 Pitch - Mating Interface 8.00mm
 Stackable No
 Temperature Range - Operating -40°C to +120°C

Material Info

Reference - Drawing Numbers

Product Specification PS-35182-003
 Sales Drawing SD-35181-022*



EU RoHS

ELV and RoHS Compliant

REACH SVHC

Not Reviewed

Low-Halogen Status

Not Low-Halogen

China RoHS



Need more information on product environmental compliance?

Email productcompliance@molex.com
 For a multiple part number RoHS Certificate of Compliance, [click here](#)

Please visit the [Contact Us](#) section for any non-product compliance questions.

Search Parts in this Series

[35181Series](#)

Mates With

[35180 Wire-to-Wire Male Housing](#)

Use With

[35746 VersaBlade™ Crimp Terminal](#), [35182 VersaBlade™ Wire-to-Wire Male Housing](#)
[TPA™](#)