

PLEASE CHECK WWW.MOLEX.COM FOR LATEST PART INFORMATION

Part Number: [35180-4609](#)
Status: **Active**
Description: 1.78mm Tab Multiple Wire-to-Wire Male Housing with Ear, 6 Circuits, Vertical, Polyester Carbonate, UL94V-0, Blue, Glow Wire Compatible

Documents:

3D Model	Product Specification PS-35180-003 (PDF)
Drawing (PDF)	Packaging Specification PK-35180-001 (PDF)
Product Specification PS-35180-002 (PDF)	RoHS Certificate of Compliance (PDF)

Agency Certification

CSA	LR19980
UL	E29179

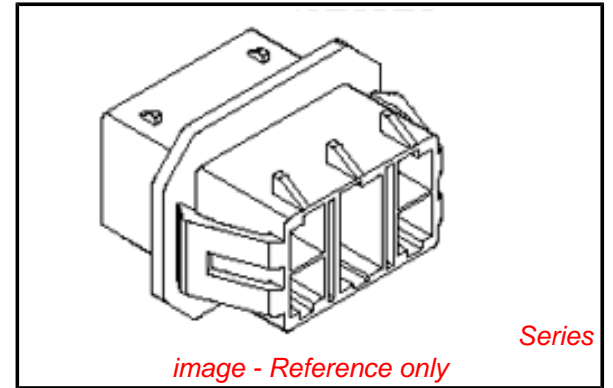
General

Product Family	Crimp Housings
Series	35180
Application	Power, Wire-to-Wire
Comments	This Molex product is manufactured from material that has the following ratings, tested by independent agencies :. a) A Glow Wire Ignition Temperature (GWIT) of at least 775 deg C per IEC 60695-2-13.. b) A Glow Wire Flammability Index (GWFI) above 850 deg C per IEC 60695-2-12.and hence complies with the requirements set out in the International Standard IEC 60335-1 5th edition - household and similar electrical appliances - safety; section 30 Resistance to heat and fire.<P><P>The customers using this product must determine its suitability for use in their particular application through testing or other acceptable means as described in end-product glow-wire flammability test standard IEC 60695-2-11 and any applicable product end-use standard(s).<P>If it is determined during the customer's evaluation of suitability, that higher performance is required, please contact Molex for possible product options.

Product Name	N/A
UPC	822350838672

Physical

Breakaway	No
Circuits (maximum)	6
Color - Resin	Blue
Flammability	94V-0
Gender	Male
Glow-Wire Compliant	Yes
Keying to Mating Part	None
Lock to Mating Part	Yes
Material - Resin	Polyester Alloy
Net Weight	8.066/g
Number of Rows	2
Packaging Type	Bag
Panel Mount	Yes
Pitch - Mating Interface	8.50mm
Pitch - Termination Interface	8.50mm
Polarized to Mating Part	Yes



EU RoHS

ELV and RoHS Compliant
REACH SVHC Contains SVHC: No
Low-Halogen Status
Not Low-Halogen

China RoHS



Need more information on product environmental compliance?

Email productcompliance@molex.com
 For a multiple part number RoHS Certificate of Compliance, [click here](#)

Please visit the [Contact Us](#) section for any non-product compliance questions.

Search Parts in this Series

[35180Series](#)

Mates With

[35181 Wire-to-Wire Female Housing](#), [35182 Wire-to-Wire Female Housing](#)

Use With

Crimp Terminal [35745](#) , [35746](#) , [35747](#) .
[35182-039*](#) TPA™

Ports	5
Stackable	No
Temperature Range - Operating	-40°C to +120°C

Electrical

Current - Maximum per Contact	10A, 15A, 4A, 5A, 7A
-------------------------------	----------------------

Material Info**Reference - Drawing Numbers**

Packaging Specification	PK-35180-001
Product Specification	PS-35180-002, PS-35180-003
Sales Drawing	SD-35180-060*

This document was generated on 06/27/2013

PLEASE CHECK WWW.MOLEX.COM FOR LATEST PART INFORMATION