

**PLEASE CHECK WWW.MOLEX.COM FOR LATEST PART INFORMATION**

**Part Number:** [35180-3409](#)  
**Status:** **Active**  
**Description:** 1.78mm Tab Multiple Wire-to-Wire Male Housing with Ear, 4 Circuits, Vertical, Polyester Carbonate, UL94V-0, Yellow, Glow Wire Compatible

**Documents:**

[3D Model](#) [Packaging Specification PK-35180-001 \(PDF\)](#)  
[Drawing \(PDF\)](#) [RoHS Certificate of Compliance \(PDF\)](#)  
[Product Specification PS-35180-002 \(PDF\)](#)

**Agency Certification**

CSA LR19980  
 UL E29179

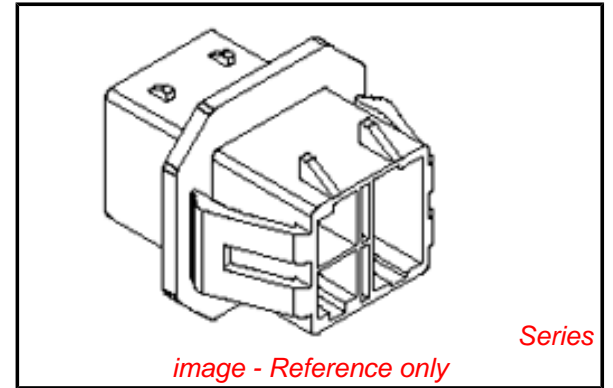
**General**

Product Family Crimp Housings  
 Series [35180](#)  
 Application Power, Wire-to-Wire  
 Comments This Molex product is manufactured from material that has the following ratings, tested by independent agencies :. a) A Glow Wire Ignition Temperature (GWIT) of at least 775 deg C per IEC 60695-2-13.. b) A Glow Wire Flammability Index (GWFI) above 850 deg C per IEC 60695-2-12.and hence complies with the requirements set out in the International Standard IEC 60335-1 5th edition - household and similar electrical appliances - safety; section 30 Resistance to heat and fire.<P><P>The customers using this product must determine its suitability for use in their particular application through testing or other acceptable means as described in end-product glow-wire flammability test standard IEC 60695-2-11 and any applicable product end-use standard(s).<P>If it is determined during the customer's evaluation of suitability, that higher performance is required, please contact Molex for possible product options.

Product Name N/A  
 UPC 822350869232

**Physical**

Breakaway No  
 Circuits (maximum) 4  
 Color - Resin Yellow  
 Flammability 94V-0  
 Gender Male  
 Glow-Wire Compliant Yes  
 Keying to Mating Part None  
 Lock to Mating Part Yes  
 Material - Resin Polyester Alloy  
 Net Weight 5.053/g  
 Number of Rows 2  
 Packaging Type Bag  
 Panel Mount Yes  
 Pitch - Mating Interface 8.70mm  
 Pitch - Termination Interface 8.70mm  
 Polarized to Mating Part Yes



**EU RoHS**

**ELV and RoHS Compliant**

**REACH SVHC**

Not Reviewed

**Low-Halogen Status**

**Not Low-Halogen**

**China RoHS**



**Need more information on product environmental compliance?**

Email [productcompliance@molex.com](mailto:productcompliance@molex.com)  
 For a multiple part number RoHS Certificate of Compliance, [click here](#)

Please visit the [Contact Us](#) section for any non-product compliance questions.

**Search Parts in this Series**

[35180Series](#)

**Mates With**

[35181](#) Wire-to-Wire Female Housing

**Use With**

[35745](#) Crimp Terminal, [35746](#) Crimp Terminal, [35747](#) Crimp Terminal, [35748](#) Crimp Terminal

Ports	3
Stackable	No
Temperature Range - Operating	-40°C to +120°C

**Electrical**

Current - Maximum per Contact	10A, 15A, 4A, 5A, 7A
-------------------------------	----------------------

**Material Info****Reference - Drawing Numbers**

Packaging Specification	PK-35180-001
Product Specification	PS-35180-002
Sales Drawing	SD-35180-040*

This document was generated on 01/16/2013

**PLEASE CHECK [WWW.MOLEX.COM](http://WWW.MOLEX.COM) FOR LATEST PART INFORMATION**