

PLEASE CHECK WWW.MOLEX.COM FOR LATEST PART INFORMATION

Part Number: [35180-0600](#)
Status: **Active**
Description: 1.78mm Tab Multiple Wire-to-Wire Male Housing with Ear, 6 Circuits, Vertical, Polyester UL94V-0, Natural

Documents:

3D Model	Product Specification PS-35180-003 (PDF)
Drawing (PDF)	Packaging Specification PK-35180-001 (PDF)
Product Specification PS-35180-002 (PDF)	RoHS Certificate of Compliance (PDF)

Agency Certification

CSA	LR19980
UL	E29179

General

Product Family	Crimp Housings
Series	35180
Application	Power, Wire-to-Wire
Comments	Polarized to Mating Part
Product Name	N/A
UPC	800754249812

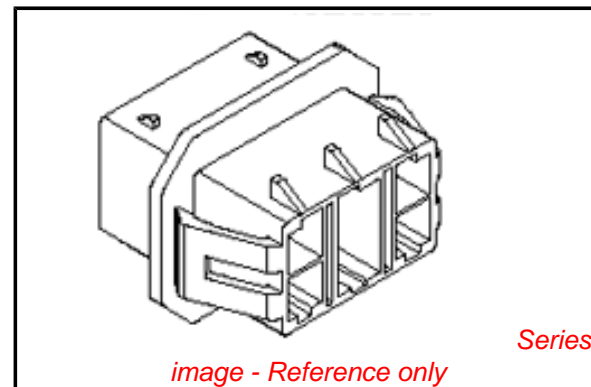
Physical

Breakaway	No
Circuits (maximum)	6
Color - Resin	Natural
Flammability	94V-0
Gender	Male
Glow-Wire Compliant	No
Keying to Mating Part	None
Lock to Mating Part	Yes
Material - Resin	Polyester
Net Weight	8.066/g
Number of Rows	2
Packaging Type	Bag
Panel Mount	Yes
Pitch - Mating Interface	8.00mm, 8.50mm
Stackable	No
Temperature Range - Operating	-40°C to +120°C

Material Info

Reference - Drawing Numbers

Packaging Specification	PK-35180-001
Product Specification	PS-35180-002, PS-35180-003
Sales Drawing	SD-35180-060*



EU RoHS

ELV and RoHS Compliant

REACH SVHC

Not Reviewed

Low-Halogen Status

Not Low-Halogen

China RoHS



Need more information on product environmental compliance?

Email productcompliance@molex.com
 For a multiple part number RoHS Certificate of Compliance, [click here](#)

Please visit the [Contact Us](#) section for any non-product compliance questions.

Search Parts in this Series

[35180Series](#)

Mates With

[35181](#) Wire-to-Wire Female Housing, [35182](#) Wire-to-Wire Female Housing

Use With

Crimp Terminal [35745](#) , [35746](#) , [35747](#) .
[35182039*](#) TPA™