

DO NOT SCALE DRAWING
DIMENSION IN METRIC

DWG. NO.
SD 35165-0100

SIMILAR ITEM

PROJECT NO.

8 7 6 5 4 3 2 1

F

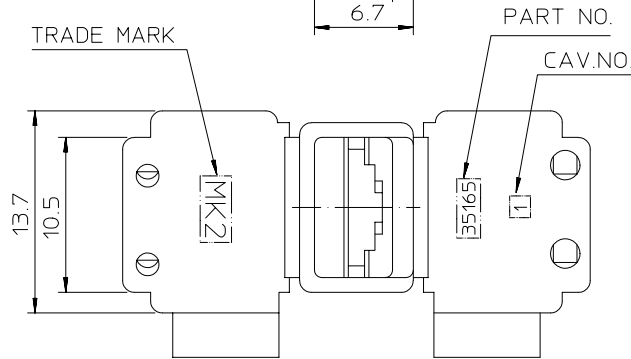
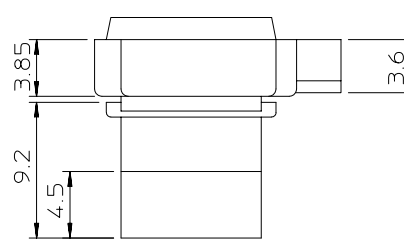
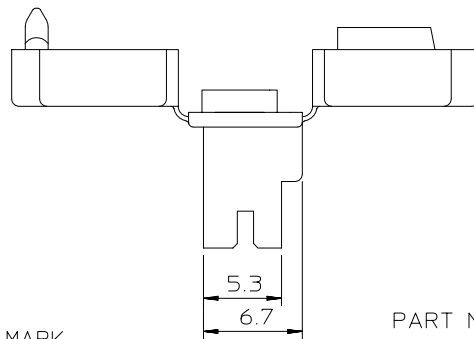
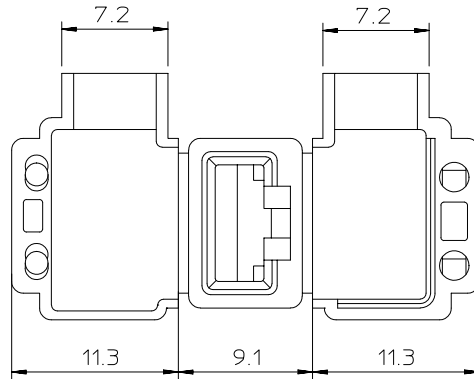
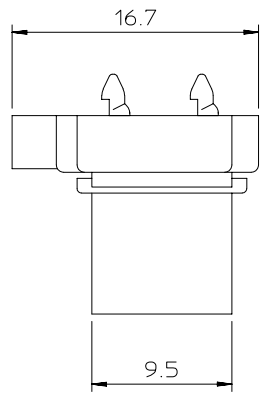
E

D

C

B

A



MATERIAL NO.	ENG NO.	COLOR
351650100	35165-0100	NATURAL
351650102	35165-0102	RED

NOTES

1. MATERIAL: NYLON66 UL94V-2
2. APPLICABLE TERMINAL: 35725-4810

EC NO. KOR2000-0088 DRWN: C.B.CHIN 001106 CHK: APPR:	MAJOR CRITICAL	GENERAL TOLERANCES: (UNLESS SPECIFIED)		SCALE 3:1	DESIGN UNITS <input checked="" type="checkbox"/> mm <input type="checkbox"/> INCH	THIRD ANGLE PROJECTION	DIMENSIONS: <input type="checkbox"/> mm <input type="checkbox"/> INCH <input checked="" type="checkbox"/> mm ONLY		SHT REV			
		4 PLACES ±0.	3 PLACES ±0.	2 PLACES ±0.	1 PLACE ±0.3	DRAWN BY & DATE W.Y.YANG 95.125		TITLE: 250 SAFE LOCK FLAG HOUSING		REVISE ON CAD ONLY		
B	DESCRIPTION REV	DRAFT WHERE APPLICABLE MUST REMAIN WITHIN DIMENSIONS		APPROVED BY & DATE C.W.LEE 95.125		MOLEX INCORPORATED KOREA		CAD FILENAME SD 35165-0100.MI	MATERIAL NO. SEE TABLE	DRAWING NO. SD 35165-0100	SHEET NO 1of1	SIZE B
		THIS DRAWING CONTAINS INFORMATION THAT IS PROPRIETARY TO MOLEX INCORPORATED AND SHOULD NOT BE USED WITHOUT WRITTEN PERMISSION.		MX-A3								

8 7 6 5 4 3 2 1

MX-A3