

PLEASE CHECK WWW.MOLEX.COM FOR LATEST PART INFORMATION

Part Number: [35156-0900](#)
Status: **Active**
Description: 3.96mm Pitch Wire-to-Board Housing: Positive Locking, 9 Circuits, Natural

Documents:

| | |
|--|--|
| 3D Model | Product Specification PS-35156-003 (PDF) |
| Drawing (PDF) | Packaging Specification PK-35156-001 (PDF) |
| Product Specification PS-35156-001 (PDF) | RoHS Certificate of Compliance (PDF) |

Agency Certification

| | |
|-----|-----------|
| CSA | LR19980 |
| TUV | R72081037 |
| UL | E29179 |

General

| | |
|----------------|-----------------------|
| Product Family | Crimp Housings |
| Series | 35156 |
| Application | Power, Wire-to-Board |
| Product Name | N/A |
| UPC | 800753876897 |

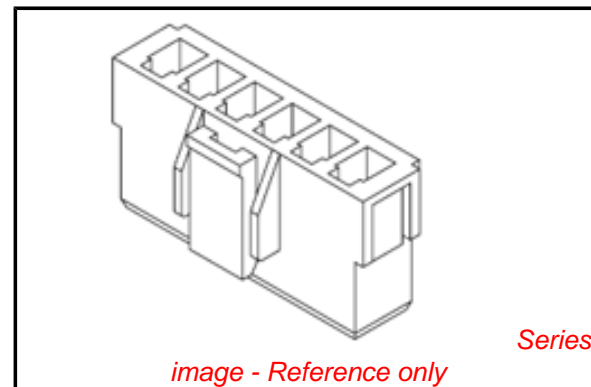
Physical

| | |
|-------------------------------|-----------------|
| Breakaway | No |
| Circuits (maximum) | 9 |
| Color - Resin | Natural |
| Flammability | 94V-0 |
| Gender | Female |
| Glow-Wire Compliant | No |
| Keying to Mating Part | None |
| Lock to Mating Part | Yes |
| Material - Resin | Polyester |
| Net Weight | 2.220/g |
| Number of Rows | 1 |
| Packaging Type | Bag |
| Panel Mount | No |
| Pitch - Mating Interface | 3.96mm |
| Pitch - Termination Interface | 3.96mm |
| Stackable | No |
| Temperature Range - Operating | -40°C to +105°C |

Material Info

Reference - Drawing Numbers

| | |
|-------------------------|--|
| Packaging Specification | PK-35156-001 |
| Product Specification | PS-35156-001, PS-35156-003, RPS-35156-002, RPS-35156-003, RPS-35156-101 |
| Sales Drawing | SD-35156-**0* |



EU RoHS

ELV and RoHS Compliant
REACH SVHC
Contains SVHC: No
Low-Halogen Status
Not Low-Halogen

China RoHS



Need more information on product environmental compliance?

Email productcompliance@molex.com
 For a multiple part number RoHS Certificate of Compliance, [click here](#)

Please visit the [Contact Us](#) section for any non-product compliance questions.

Search Parts in this Series

[35156Series](#)

Mates With

Use With

[50217 Crimp Terminals](#)