

**PLEASE CHECK WWW.MOLEX.COM FOR LATEST PART INFORMATION**

**Part Number:** [35155-1301](#)  
**Status:** **Active**  
**Description:** 2.50mm Pitch Wire-to-Board Housing, Positive Lock, Black, 13 Circuits

**Documents:**

|  |  |
|--|--|
| <a href="#">3D Model</a>                                 | <a href="#">Product Specification PS-68143-001 (PDF)</a>   |
| <a href="#">Drawing (PDF)</a>                            | <a href="#">Packaging Specification PK-35155-001 (PDF)</a> |
| <a href="#">Product Specification PS-35155-001 (PDF)</a> | <a href="#">RoHS Certificate of Compliance (PDF)</a>       |
| <a href="#">Product Specification PS-35155-002 (PDF)</a> |  |

**Agency Certification**

|     |           |
|-----|-----------|
| CSA | LR19980   |
| TUV | R72081037 |
| UL  | E29179    |

**General**

|                |                       |
|----------------|-----------------------|
| Product Family | Crimp Housings        |
| Series         | <a href="#">35155</a> |
| Application    | Signal, Wire-to-Wire  |
| Product Name   | N/A                   |
| UPC            | 756054257562          |

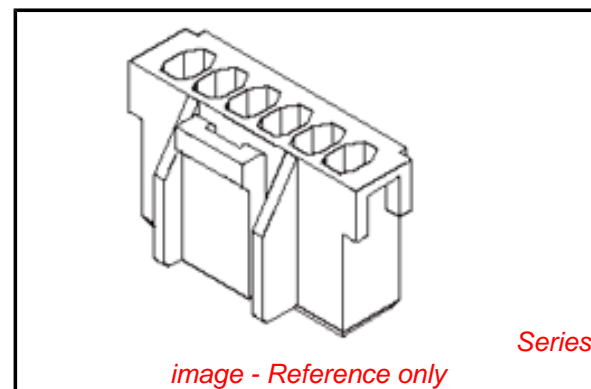
**Physical**

|                               |                 |
|-------------------------------|-----------------|
| Breakaway                     | No              |
| Circuits (maximum)            | 13              |
| Color - Resin                 | Natural         |
| Flammability                  | 94V-0           |
| Gender                        | Female          |
| Glow-Wire Compliant           | No              |
| Keying to Mating Part         | None            |
| Lock to Mating Part           | Yes             |
| Material - Resin              | Polyester       |
| Net Weight                    | 1.293/g         |
| Number of Rows                | 1               |
| Packaging Type                | Bag             |
| Panel Mount                   | No              |
| Pitch - Mating Interface      | 2.50mm          |
| Pitch - Termination Interface | 2.50mm          |
| Polarized to Mating Part      | Yes             |
| Temperature Range - Operating | -40°C to +105°C |

**Material Info**

**Reference - Drawing Numbers**

|                         |  |
|-------------------------|--|
| Packaging Specification | PK-35155-001                             |
| Product Specification   | PS-35155-001, PS-35155-002, PS-68143-001 |
| Sales Drawing           | SD-35155-**0*                            |



**EU RoHS**

**ELV and RoHS  
Compliant**  
**REACH SVHC  
Contains SVHC: No  
Low-Halogen Status  
Not Low-Halogen**

**China RoHS**



**Need more information on product  
environmental compliance?**

Email [productcompliance@molex.com](mailto:productcompliance@molex.com)  
 For a multiple part number RoHS Certificate of  
 Compliance, [click here](#)

Please visit the [Contact Us](#) section for any  
 non-product compliance questions.

**Search Parts in this Series**

[35155Series](#)

**Mates With**

[35312 Vertical Shrouded Header](#), [35184  
Wire-to-Wire Plug Housing](#)

**Use With**

[5103 SPOX™ Crimp Terminal](#)