

**PLEASE CHECK WWW.MOLEX.COM FOR LATEST PART INFORMATION**

**Part Number:** [35151-0214](#)  
**Status:** **Active**  
**Overview:** VersaBlade™  
**Description:** 6.20mm Pitch Wire-to-Wire VersaBlade™ Hybrid Receptacle Housing, 2 Circuits, Polyester UL94V-0, Blue

**Documents:**

[3D Model](#) [Packaging Specification PK-35151-003 \(PDF\)](#)  
[Drawing \(PDF\)](#) [RoHS Certificate of Compliance \(PDF\)](#)  
[Product Specification PS-35150-001 \(PDF\)](#)

**Agency Certification**

|     |           |
|-----|-----------|
| CSA | LR19980   |
| TUV | R72090206 |
| UL  | E29179    |

**General**

|                |   |
|----------------|---|
| Product Family | Crimp Housings                          |
| Series         | <a href="#">35151</a>                   |
| Application    | Power, Wire-to-Wire                     |
| Comments       | Polarized to Mating Part, Positive Lock |
| Overview       | <a href="#">VersaBlade™</a>             |
| Product Name   | VersaBlade™                             |
| UPC            | 800753526822                            |

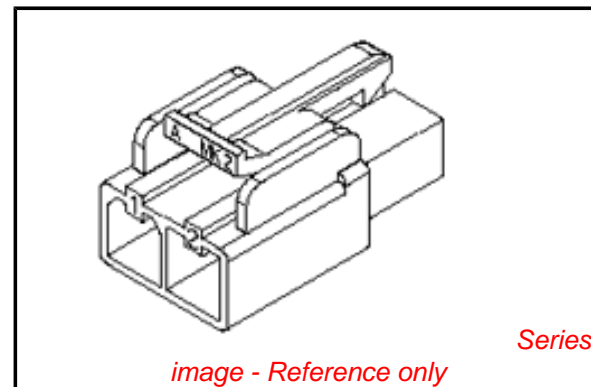
**Physical**

|                               |                 |
|-------------------------------|-----------------|
| Circuits (maximum)            | 2               |
| Color - Resin                 | Blue            |
| Flammability                  | 94V-0           |
| Gender                        | Female          |
| Glow-Wire Compliant           | No              |
| Keying to Mating Part         | None            |
| Lock to Mating Part           | Yes             |
| Material - Resin              | Polyester       |
| Net Weight                    | 1.826/g         |
| Number of Rows                | 1               |
| Packaging Type                | Bag             |
| Panel Mount                   | No              |
| Pitch - Mating Interface      | 6.20mm          |
| Pitch - Termination Interface | 6.20mm          |
| Polarized to Mating Part      | Yes             |
| Stackable                     | No              |
| Temperature Range - Operating | -40°C to +120°C |

**Material Info**

**Reference - Drawing Numbers**

|                         |               |
|-------------------------|---------------|
| Packaging Specification | PK-35151-003  |
| Product Specification   | PS-35150-001  |
| Sales Drawing           | SD-35151-021* |



**EU RoHS**

**ELV and RoHS Compliant**

**REACH SVHC**

Not Reviewed

**Low-Halogen Status**

**Not Low-Halogen**

**China RoHS**



**Need more information on product environmental compliance?**

Email [productcompliance@molex.com](mailto:productcompliance@molex.com)  
 For a multiple part number RoHS Certificate of Compliance, [click here](#)

Please visit the [Contact Us](#) section for any non-product compliance questions.

**Search Parts in this Series**

[35151Series](#)

**Mates With**

[35150021\\*](#) Plug Housings

**Use With**

[35746](#) VersaBlade™ Crimp Terminals