

**PLEASE CHECK WWW.MOLEX.COM FOR LATEST PART INFORMATION**

**Part Number:** [35151-0414](#)  
**Status:** **Active**  
**Overview:** VersaBlade™  
**Description:** 6.20mm Pitch Wire-to-Wire VersaBlade™ Hybrid Receptacle Housing, 4 Circuits, Polyester UL94V-0, Blue

**Documents:**

[3D Model](#) [Packaging Specification PK-35151-005 \(PDF\)](#)  
[Drawing \(PDF\)](#) [RoHS Certificate of Compliance \(PDF\)](#)

**Agency Certification**

CSA	LR19980
TUV	R72090206
UL	E29179

**General**

Product Family	Crimp Housings
Series	<a href="#">35151</a>
Application	Power, Wire-to-Wire
Comments	Polarized to Mating Part, Positive Lock
Overview	<u>VersaBlade™</u>
Product Name	VersaBlade™
UPC	800754834728

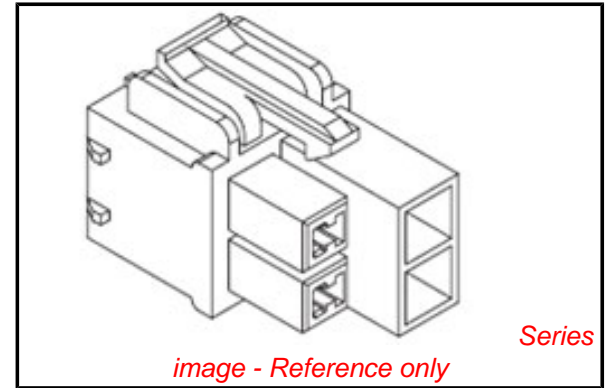
**Physical**

Circuits (maximum)	4
Color - Resin	Blue
Flammability	94V-0
Gender	Female
Glow-Wire Compliant	No
Keying to Mating Part	None
Lock to Mating Part	Yes
Material - Resin	Polyester
Net Weight	3.746/g
Number of Rows	2
Packaging Type	Bag
Panel Mount	No
Pitch - Mating Interface	8.90mm
Polarized to Mating Part	Yes
Stackable	No
Temperature Range - Operating	-40°C to +120°C

**Material Info**

**Reference - Drawing Numbers**

Packaging Specification	PK-35151-005
Sales Drawing	SD-35151-0410



**EU RoHS**

**ELV and RoHS Compliant**

**REACH SVHC**

Not Reviewed

**Low-Halogen Status**

**Not Low-Halogen**

**China RoHS**



**Need more information on product environmental compliance?**

Email [productcompliance@molex.com](mailto:productcompliance@molex.com)  
 For a multiple part number RoHS Certificate of Compliance, [click here](#)

Please visit the [Contact Us](#) section for any non-product compliance questions.

**Search Parts in this Series**

[35151Series](#)

**Mates With**

[35150040\\*](#) Plug Housing|[35150041\\*](#) Plug Housing

**Use With**

VersaBlade™ Crimp Terminals, [35745](#) , [35746](#) , [35747](#)