

PLEASE CHECK WWW.MOLEX.COM FOR LATEST PART INFORMATION

Part Number: [35150-3419](#)
Status: **Active**
Overview: VersaBlade™
Description: 6.20mm Pitch Wire-to-Wire VersaBlade™ Hybrid Plug Housing, with Mounting Ears, 4 Circuits, Polyester Carbonate UL94V-0, Natural, Glow Wire Compatible

Documents:

[3D Model](#) [Packaging Specification PK-35150-004 \(PDF\)](#)
[Drawing \(PDF\)](#) [RoHS Certificate of Compliance \(PDF\)](#)

Agency Certification

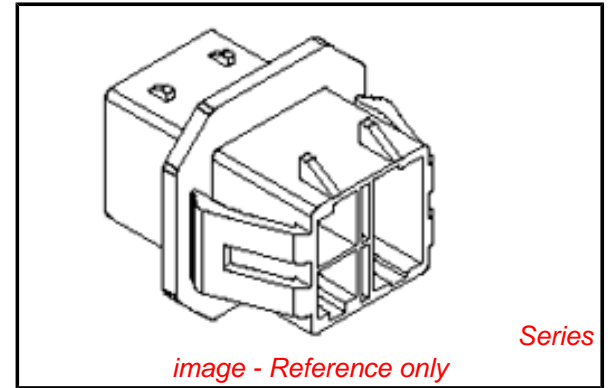
CSA	LR19980
TUV	R72090206
UL	E29179

General

Product Family	Crimp Housings
Series	35150
Application	Power, Wire-to-Wire
Comments	Polarized to Mating Part, Positive Lock<P><P>This Molex product is manufactured from material that has the following ratings, tested by independent agencies :. a) A Glow Wire Ignition Temperature (GWIT) of at least 775 deg C per IEC 60695-2-13.. b) A Glow Wire Flammability Index (GWFI) above 850 deg C per IEC 60695-2-12.and hence complies with the requirements set out in the International Standard IEC 60335-1 5th edition - household and similar electrical appliances - safety; section 30 Resistance to heat and fire.<P><P>The customers using this product must determine its suitability for use in their particular application through testing or other acceptable means as described in end-product glow-wire flammability test standard IEC 60695-2-11 and any applicable product end-use standard(s).<P>If it is determined during the customer's evaluation of suitability, that higher performance is required, please contact Molex for possible product options.
Overview	VersaBlade™
Product Name	VersaBlade™
UPC	822350766760

Physical

Breakaway	No
Circuits (maximum)	4
Color - Resin	Yellow
Flammability	94V-0
Gender	Male
Glow-Wire Compliant	Yes
Keying to Mating Part	None
Lock to Mating Part	Yes
Material - Resin	Polyester Alloy
Net Weight	4.933/g
Number of Rows	2
Packaging Type	Bag
Panel Mount	Yes



EU RoHS

ELV and RoHS Compliant

REACH SVHC

Not Reviewed

Low-Halogen Status

Not Low-Halogen

China RoHS



Need more information on product environmental compliance?

Email productcompliance@molex.com
 For a multiple part number RoHS Certificate of Compliance, [click here](#)

Please visit the [Contact Us](#) section for any non-product compliance questions.

Search Parts in this Series

[35150Series](#)

Mates With

[35151041*](#) Plug Housings

Use With

VersaBlade™ Crimp Terminals, [35745](#) , [35747](#) , [35746](#) , [35748](#) . [351500290](#) TPA™

Pitch - Mating Interface	6.20mm
Pitch - Termination Interface	6.20mm
Polarized to Mating Part	Yes
Ports	1
Stackable	No
Temperature Range - Operating	-40°C to +120°C

Material Info

Reference - Drawing Numbers

Packaging Specification	PK-35150-004
Sales Drawing	SD-35150-0410

This document was generated on 01/16/2013

PLEASE CHECK WWW.MOLEX.COM FOR LATEST PART INFORMATION