

PLEASE CHECK WWW.MOLEX.COM FOR LATEST PART INFORMATION

Part Number: [35150-0314](#)
Status: **Active**
Overview: VersaBlade™
Description: 7.30mm Pitch Wire-to-Wire VersaBlade™ Hybrid Plug Housing, with Mounting Ears, 3 Circuits, Polyester UL94V-0, Blue

Documents:

[3D Model](#) [Packaging Specification PK-35150-003 \(PDF\)](#)
[Drawing \(PDF\)](#) [RoHS Certificate of Compliance \(PDF\)](#)

Agency Certification

CSA	LR19980
TUV	R72090206
UL	E29179

General

Product Family	Crimp Housings
Series	35150
Application	Power, Wire-to-Wire
Comments	Polarized to Mating Part, Positive Lock
Overview	VersaBlade™
Product Name	VersaBlade™
UPC	800754834841

Physical

Circuits (maximum)	3
Color - Resin	Blue
Flammability	94V-0
Gender	Female
Glow-Wire Compliant	No
Keying to Mating Part	None
Lock to Mating Part	Yes
Material - Resin	Polyester
Net Weight	4.213/g
Number of Rows	1
Packaging Type	Bag
Panel Mount	Yes
Pitch - Mating Interface	7.30mm
Pitch - Termination Interface	7.30mm
Polarized to Mating Part	Yes
Stackable	No
Temperature Range - Operating	-40°C to +120°C

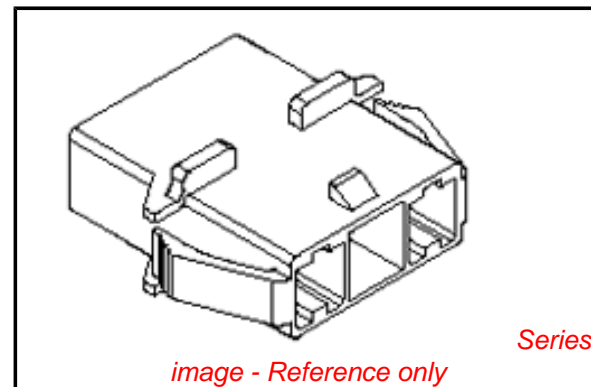
Electrical

Current - Maximum per Contact	15A
-------------------------------	-----

Material Info

Reference - Drawing Numbers

Packaging Specification	PK-35150-003
Sales Drawing	SD-35150-031*



EU RoHS

ELV and RoHS Compliant

REACH SVHC

Not Reviewed

Low-Halogen Status

Not Low-Halogen

China RoHS



Need more information on product environmental compliance?

Email productcompliance@molex.com
 For a multiple part number RoHS Certificate of Compliance, [click here](#)

Please visit the [Contact Us](#) section for any non-product compliance questions.

Search Parts in this Series

[35150Series](#)

Mates With

[35151031*](#) Receptacle Housing

Use With

VersaBlade™ Crimp Terminals, [35745](#) , [35747](#) , [35746](#) <BR [351500290](#) TPA™