

PLEASE CHECK WWW.MOLEX.COM FOR LATEST PART INFORMATION

Part Number: [0350449260](#)
Status: **Active**
Description: 2.00/2.50mm max. Board-in Terminal

Documents:

[Drawing \(PDF\)](#) [RoHS Certificate of Compliance \(PDF\)](#)
[Packaging Specification PK-35044-001-001 \(PDF\)](#)

General

Product Family	Crimp Terminals
Series	35044
Application	Signal, Wire-to-Board
Crimp Quality Equipment	Yes
Product Name	Board-in
UPC	822348251186

Physical

Gender	Male
Material - Metal	Brass
Material - Plating Mating	Tin
Material - Plating Termination	Tin
Net Weight	0.033/g
Packaging Type	Reel
Plating min - Mating	0.813µm
Plating min - Termination	0.813µm
Termination Interface: Style	Crimp or Compression
Wire Insulation Diameter	1.50mm max.
Wire Size AWG	24, 26, 28
Wire Size mm ²	N/A

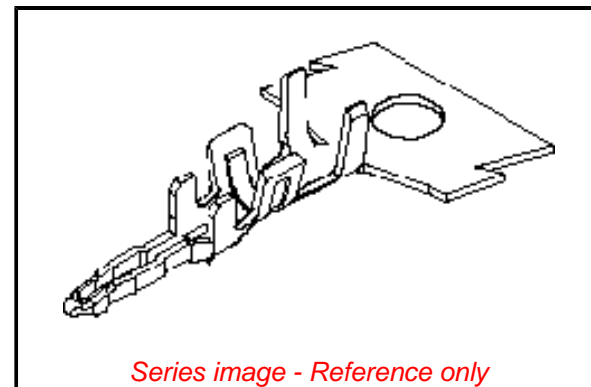
Electrical

Voltage - Maximum	125V
-------------------	------

Material Info

Reference - Drawing Numbers

Crimp Specification	CS-35044-001-001
Packaging Specification	PK-35044-001-001
Sales Drawing	SD-35044-001-001, SD-35044-002



EU ELV

Not Relevant

EU RoHS

Compliant

REACH SVHC

Not Contained Per -
ECHA_01_2020 (16
January 2020

Halogen-Free

Status

Low-Halogen

For more information, please visit [Contact US](#)

China ROHS

ELV

RoHS Phthalates

China RoHS

Green Image

Not Relevant

Not Contained

Search Parts in this Series

[35044](#) Series

Use With

[35023](#) Housing

Application Tooling | FAQ

Tooling specifications and manuals are found by selecting the products below. Crimp Height Specifications are then contained in the Application Tooling Specification document.

Global

Description	Product #
T2 Terminator	638537000
Tooling Die	
FineAdjust Applicator	638637000