

PLEASE CHECK WWW.MOLEX.COM FOR LATEST PART INFORMATION

Part Number: [0350449105](#)
Status: **Active**
Description: 2.00/2.50mm Board-in Terminal, Pre-Tin Plating, Wire Insulation Diameter 1.90mm max., Reels in Vacuum Poly Packing

Documents:

[Drawing \(PDF\)](#) [RoHS Certificate of Compliance \(PDF\)](#)

General

Product Family	Crimp Terminals
Series	35044
Application	Signal, Wire-to-Board
Crimp Quality Equipment	Yes
Product Name	Board-in
UPC	800754838504

Physical

Gender	Male
Material - Metal	Brass
Material - Plating Mating	Tin
Material - Plating Termination	Tin
Net Weight	0.400/g
Packaging Type	Reel
Plating min - Mating	0.889µm
Plating min - Termination	0.889µm
Termination Interface: Style	Crimp or Compression
Wire Insulation Diameter	1.90mm max.
Wire Size AWG	22, 24, 26, 28
Wire Size mm ²	N/A

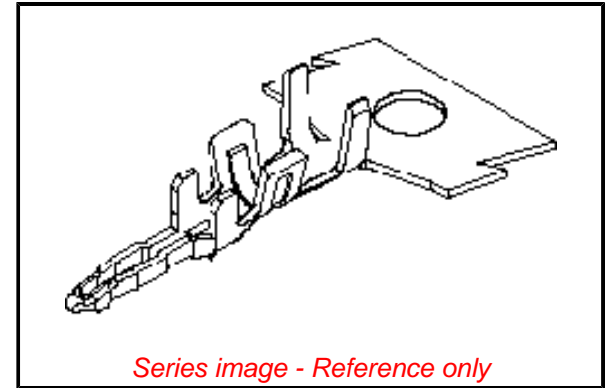
Electrical

Current - Maximum per Contact	2.5A
Voltage - Maximum	125V

Material Info

Reference - Drawing Numbers

Sales Drawing	SD-35044-001-001
---------------	------------------



EU ELV

Not Relevant

EU RoHS

Compliant

REACH SVHC

Not Contained Per -
D(2020)4578-DC (25
June 2020)

Halogen-Free

Status

Low-Halogen

For more information, please visit [Contact US](#)

China ROHS

ELV

RoHS Phthalates

China RoHS

Green Image

Not Relevant

Not Contained

Search Parts in this Series

[35044 Series](#)

Use With

[35022 Housing](#)