

**PLEASE CHECK WWW.MOLEX.COM FOR LATEST PART INFORMATION**

**Part Number:** **0350449104**  
**Status:** **Active**  
**Description:** 2.00/2.50mm Board-in Terminal, Pre-Tin Plating, Wire Insulation Diameter 1.90mm max.

**Documents:**

[Drawing \(PDF\)](#) [Packaging Specification PK-35044-001-001 \(PDF\)](#)  
[Product Specification PS-35021-001-001 \(PDF\)](#) [RoHS Certificate of Compliance \(PDF\)](#)  
[Product Specification PS-35516-001-001 \(PDF\)](#)

**General**

Product Family Crimp Terminals  
Series 35044  
Application Signal, Wire-to-Board  
Crimp Quality Equipment Yes  
Product Name Board-in  
UPC 191128081443

**Physical**

Gender Male  
Material - Metal Brass  
Material - Plating Mating Tin  
Material - Plating Termination Tin  
Net Weight 0.030/g  
Packaging Type Reel  
Plating min - Mating 0.889µm  
Plating min - Termination 0.889µm  
Termination Interface: Style Crimp or Compression  
Wire Insulation Diameter 1.90mm max.  
Wire Size AWG 22, 24, 26, 28  
Wire Size mm<sup>2</sup> N/A

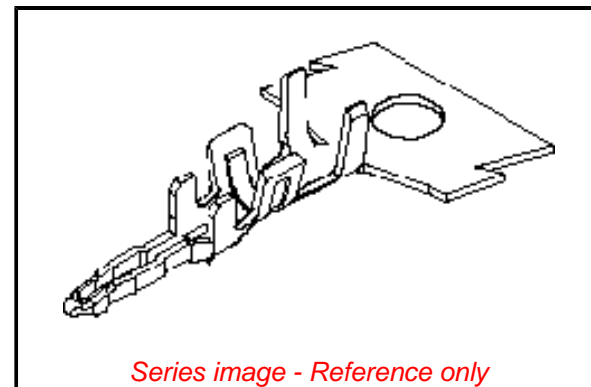
**Electrical**

Current - Maximum per Contact 2.5A  
Voltage - Maximum 125V

**Material Info**

**Reference - Drawing Numbers**

Crimp Specification CS-35044-001-001  
Packaging Specification PK-35044-001-001  
Product Specification PS-35021-001-001, PS-35516-001-001  
Sales Drawing SD-35044-001-001



**EU ELV**

**Compliant**

**EU RoHS**

**Compliant**

**REACH SVHC**

Not Contained Per -  
D(2020)4578-DC (25  
June 2020)

**Halogen-Free**

**Status**

**Low-Halogen**

For more information, please visit [Contact US](#)

China ROHS

ELV

RoHS Phthalates

**China RoHS**

Green Image

Compliant

Not Contained

**Search Parts in this Series**

35044 Series

**Use With**

35022 Housing

**Application Tooling | FAQ**

*Tooling specifications and manuals are found by selecting the products below. Crimp Height Specifications are then contained in the Application Tooling Specification document.*

**Global**

**Description**

**Product #**

T2 Terminator

638537100

Tooling Die

FineAdjust Applicator 638637100