

**PLEASE CHECK WWW.MOLEX.COM FOR LATEST PART INFORMATION**

**Part Number:** [0349521611](#)  
**Status:** **Active**  
**Overview:** [MX150 Sealed and Unsealed Connector System](#)  
**Description:** MX150 Backshell for Hybrid Female Sealed Connector Assembly, 16 Circuit, with Rib

**Documents:**

<a href="#">3D Model</a>	<a href="#">Packaging Specification PK-31302-118-001 (PDF)</a>
<a href="#">3D Model (PDF)</a>	<a href="#">Datasheet (PDF)</a>
<a href="#">Drawing (PDF)</a>	<a href="#">RoHS Certificate of Compliance (PDF)</a>
<a href="#">Application Specification AS-34951-001-001 (PDF)</a>	

**General**

Product Family	Crimp Housings
Series	<a href="#">34952</a>
Application	Power, Wire-to-Wire
Comments	With Rib
More Detailed Tech Information	<a href="http://uscar.org/guest/teams/10/Electrical-Wiring-Component-Applications-Partnership">http://uscar.org/guest/teams/10/Electrical-Wiring-Component-Applications-Partnership</a>
Overview	<a href="#">MX150 Sealed and Unsealed Connector System</a>
Product Name	MX150
UPC	191128245623

**Physical**

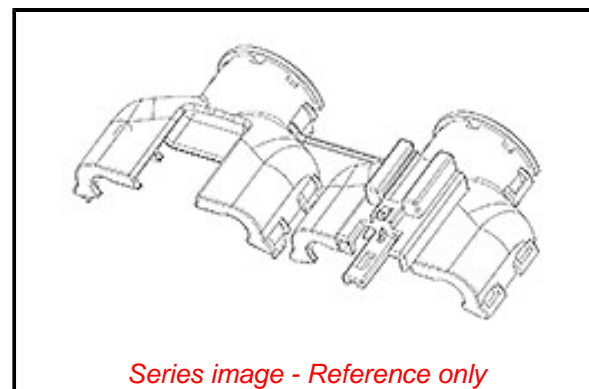
Circuits (maximum)	16
Color - Resin	Black
Gender	N/A
Glow-Wire Capable	No
Lock to Mating Part	Yes
Material - Resin	Nylon
Net Weight	11.200/g
Number of Rows	0
Packaging Type	Bag
Panel Mount	No
Pitch - Mating Interface	N/A
Polarized to Mating Part	Yes
Stackable	No
Temperature Range - Operating	-40° to +125°C

**Material Info**

Engineering Number	22 NG 34952
--------------------	-------------

**Reference - Drawing Numbers**

Application Specification	AS-34951-001-001
Packaging Specification	PK-31302-118-001
Sales Drawing	349520001-000



**EU ELV**

**Compliant**

**EU RoHS**

**Compliant**

**REACH SVHC**

Not Contained Per -  
D(2020)4578-DC (25  
June 2020)

**Halogen-Free**

**Status**

**Not Relevant**

For more information, please visit [Contact US](#)

China ROHS

Not Relevant

ELV

Compliant

RoHS Phthalates

Not Contained

**Search Parts in this Series**

[34952](#) Series

**Use With**

MX150 Hybrid Sealed Female Connector  
Assembly [34985](#)