



Connectors > Automotive, Truck, Bus, & Off-Road Connectors > Connector Housings



Connector & Housing Type: **Housing for Female Terminals**

Connector System: **Wire-to-Board, Wire-to-Device, Wire-to-Wire**

Number of Positions: **2**

Centerline (Pitch): **5.4 mm [.213 in]**

Sealable: **No**

Features

Product Type Features

Row-to-Row Spacing	8.6 mm[.339 in]
Connector & Housing Type	Housing for Female Terminals
Connector System	Wire-to-Board, Wire-to-Device, Wire-to-Wire
Sealable	No
Hybrid Connector	No
Primary Locking Feature	Integrated in Housing
Strain Relief	No

Configuration Features

Number of Positions	2
Number of Rows	1

Electrical Characteristics

Nominal Voltage Architecture	12 V
Operating Voltage	18 VDC

Body Features

Cable Exit Angle	180°
Body Material	PA
Primary Product Color	Yellow

Mechanical Attachment

--	--



Terminal Position Assurance	No
Mounting Feature	Without
Polarized	Yes

Housing Features

Centerline (Pitch)	5.4 mm[.213 in]
--------------------	-----------------

Dimensions

Height	21.6 mm[.85 in]
Length	15.4 mm[.606 in]
Width	9.9 mm[.39 in]

Usage Conditions

Operating Temperature (Max)	70 °C, 75 °C, 80 °C, 85 °C[158 °F][167 °F] [176 °F][185 °F]
Operating Temperature Range	-40 – 85 °C, -40 – 85 °C[-40 – 185 °F][-40 – 185 °F]

Industry Standards

UL Flammability Rating	UL 94-HB
------------------------	----------

Packaging Features

Packaging Method	Bag
Packaging Quantity	1000

Other

Serviceable	Yes
Connector Position Assurance Capable	No

Product Compliance

[For compliance documentation, visit the product page on TE.com>](#)

EU RoHS Directive 2011/65/EU	Compliant
EU ELV Directive 2000/53/EC	Compliant
China RoHS 2 Directive MIIT Order No 32, 2016	No Restricted Materials Above Threshold
EU REACH Regulation (EC) No. 1907/2006	Current ECHA Candidate List: JUN 2020 (209) Not Yet Reviewed
Halogen Content	Low Halogen - Br, Cl, F, I < 900 ppm per homogenous material. Also BFR/CFR/PVC Free



Solder Process Capability

Not applicable for solder process capability

Product Compliance Disclaimer

This information is provided based on reasonable inquiry of our suppliers and represents our current actual knowledge based on the information they provided. This information is subject to change. The part numbers that TE has identified as EU RoHS compliant have a maximum concentration of 0.1% by weight in homogenous materials for lead, hexavalent chromium, mercury, PBB, PBDE, DBP, BBP, DEHP, DIBP, and 0.01% for cadmium, or qualify for an exemption to these limits as defined in the Annexes of Directive 2011/65/EU (RoHS2). Finished electrical and electronic equipment products will be CE marked as required by Directive 2011/65/EU. Components may not be CE marked. Additionally, the part numbers that TE has identified as EU ELV compliant have a maximum concentration of 0.1% by weight in homogenous materials for lead, hexavalent chromium, and mercury, and 0.01% for cadmium, or qualify for an exemption to these limits as defined in the Annexes of Directive 2000/53/EC (ELV). Regarding the REACH Regulations, TE's information on SVHC in articles for this part number is still based on the European Chemical Agency (ECHA) 'Guidance on requirements for substances in articles' (Version: 2, April 2011), applying the 0.1% weight on weight concentration threshold at the finished product level. TE is aware of the European Court of Justice ruling of September 10th, 2015 also known as O5A (Once An Article Always An Article) stating that, in case of 'complex object', the threshold for a SVHC must be applied to both the product as a whole and simultaneously to each of the articles forming part of its composition. TE has evaluated this ruling based on the new ECHA "Guidance on requirements for substances in articles" (June 2017, version 4.0) and will be updating its statements accordingly.

Compatible Parts



TE Model / Part # CAT-M9194-CH8172
MULTILOCK, CONNECTOR HOUSING



TE Model / Part # CAT-M9194-T273
MULTILOCK, RECEPTACLE AND TAB

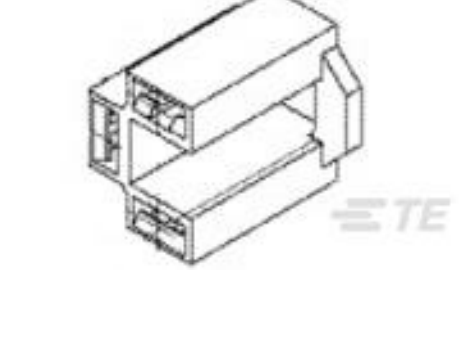


TE Model / Part # 173631-8
070 RCPT NON SEALED TIN

Customers Also Bought



TE Model / Part #2103189-1
COLLET, SIZE A, HVA280



TE Model / Part #480100-1
FF 312 REC HSG 3P NYLON BLACK



TE Model / Part #2141614-3
COVER, CABLE SEAL



TE Model / Part #2103169-5
OUTER HOUSING, CAP, KEY E, HVA280-2PHM



TE Model / Part #770381-1
PIN,AM MATE-N-LOK .060 22-18 AWG PTPBR

Documents



Product Drawings

SHORTING CONN RECPT HSG. (BRIG

English

CAD Files

3D PDF

English

Customer View Model

[ENG_CVM_348793-4_C.2d_dxf.zip](#)

English

Customer View Model

[ENG_CVM_348793-4_C.3d_igs.zip](#)

English

Customer View Model

[ENG_CVM_348793-4_C.3d_stp.zip](#)

English

By downloading the CAD file I accept and agree to the [Terms and Conditions](#) of use.