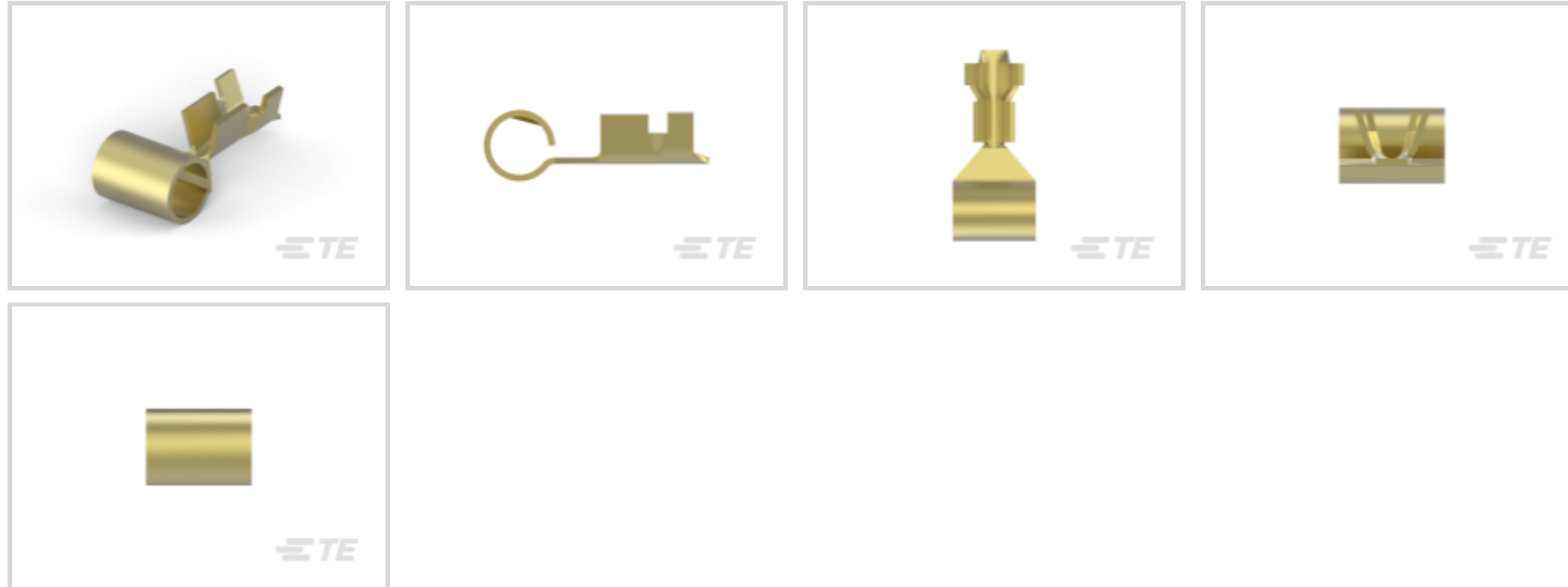




Terminals & Splices > Crimp Wire Pins, Tabs & Ferrules



Crimp Wire Terminal Type: **Receptacle**

Mating Pin Diameter: **4 mm [.157 in]**

Compatible Insulation Diameter Range: **1.5 – 2.13 mm, 2.13 mm [.059 – .083 in, .083 in]**

Wire Size: **.5 – 1.3 mm<sup>2</sup>**

## Features

### Product Type Features

Compatible With Discrete Wire Type	Stranded
------------------------------------	----------

### Configuration Features

Compatible With Wire & Cable Type	Discrete Wire
-----------------------------------	---------------

### Contact Features

Crimp Wire Terminal Type	Receptacle
Mating Pin Diameter	4 mm [.157 in]
Barrel Type	Open
Terminal Plating Material	Unplated
Terminal Orientation	Right Angle

### Mechanical Attachment

Wire Insulation Support	With
-------------------------	------

### Dimensions

Compatible Insulation Diameter Range	1.5 – 2.13 mm, 2.13 mm [.059 – .083 in][.083 in]
Wire Size	1021 – 2582 CMA
Barrel Inside Diameter	1.14 – 1.42 mm, 2.41 – 2.69 mm [.045 – .055 in]



	in][.095 – .105 in]
Terminal Material Thickness	.39 mm[.016 in]
Overall Product Length	11.05 mm[.435 in]

### Usage Conditions

Insulation Option	Uninsulated
-------------------	-------------

### Packaging Features

Packaging Method	Reel
------------------	------

## Product Compliance

[For compliance documentation, visit the product page on TE.com>](#)

EU RoHS Directive 2011/65/EU	Compliant
EU ELV Directive 2000/53/EC	Compliant
China RoHS 2 Directive MIIT Order No 32, 2016	No Restricted Materials Above Threshold
EU REACH Regulation (EC) No. 1907/2006	Current ECHA Candidate List: JUNE 2024 (241) Candidate List Declared Against: JUNE 2024 (241) Does not contain REACH SVHC
Halogen Content	Low Halogen - Br, Cl, F, I < 900 ppm per homogenous material. Also BFR/CFR/PVC Free
Solder Process Capability	Not applicable for solder process capability

#### Product Compliance Disclaimer

This information is provided based on reasonable inquiry of our suppliers and represents our current actual knowledge based on the information they provided. This information is subject to change. The part numbers that TE has identified as EU RoHS compliant have a maximum concentration of 0.1% by weight in homogenous materials for lead, hexavalent chromium, mercury, PBB, PBDE, DBP, BBP, DEHP, DIBP, and 0.01% for cadmium, or qualify for an exemption to these limits as defined in the Annexes of Directive 2011/65/EU (RoHS2). Finished electrical and electronic equipment products will be CE marked as required by Directive 2011/65/EU. Components may not be CE marked. Additionally, the part numbers that TE has identified as EU ELV compliant have a maximum concentration of 0.1% by weight in homogenous materials for lead, hexavalent chromium, and mercury, and 0.01% for cadmium, or qualify for an exemption to these limits as defined in the Annexes of Directive 2000/53/EC (ELV). Regarding the REACH Regulation, the information TE provides on SVHC in articles for this part number is based on the latest European Chemicals Agency (ECHA) 'Guidance on requirements for substances in articles' posted at this URL: <https://echa.europa.eu/guidance-documents/guidance-on-reach>

## Compatible Parts




TE Part # 42428-5  
 PIN TERMINAL RECEPTACLE 24-20  
 AWG TPPHBZ



TE Part # 42745-2  
 PIN 090 FLAG RECEPTACLE 20-14  
 AWG TPPHBZ



TE Part # 60733-1  
 PIN .090 RECEPTACLE TPPHBZ



TE Part # 150656-1  
 SHUR PLUG .156 DIA REC 20-16 AWG  
 PB



TE Part # 60115-1  
 PIN 125 REC 22-20 AWG BR



TE Part # 154740-1  
 PIN .175 DIA REC 20-16AWG PB



TE Part # 1-150656-1  
 SHUR PLUG .156 DIA REC 20-16 AWG  
 PB



TE Part # 42827-4  
 PIN .093 RECEPTACLE 24-18 AWG SST



TE Part # 154740-2  
 PIN .175 DIA REC 20-16AWG PB



TE Part # 626361-1  
 WALL PLUG PIN 0.5/1.5 MM2 0.38X36.  
 40 BR



TE Part # 40652  
 PIN 119 (3.02 MM )REC 20-18 AWG BR

### Customers Also Bought



TE Part #DT04-2P  
 REC, 2P, GRY, N



TE Part #DT06-2S  
 PLG, 2P, GRY, N



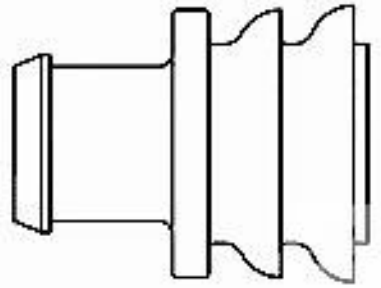
TE Part #W2S  
 Wedgelocks: DEUTSCH DT



TE Part #0460-202-16141  
 DEUTSCH Solid Contacts



TE Part #282104-1  
 AMP SUPERSEAL 1.5MM,  
 CONNECTOR HOUSING



TE Part #281934-2  
 SINGLE WIRE SEAL



TE Part #114017-ZZ  
 SEALING PLUG, SIZE 12/16, WHT

### Documents



## Product Drawings

### ANGLE PIN RECEPTACLE 20-16 AWG PHBRZ

English

---

## CAD Files

### 3D PDF

3D

#### Customer View Model

[ENG\\_CVM\\_CVM\\_344469-2\\_P.2d\\_dxf.zip](#)

English

#### Customer View Model

[ENG\\_CVM\\_CVM\\_344469-2\\_P.3d\\_igs.zip](#)

English

#### Customer View Model

[ENG\\_CVM\\_CVM\\_344469-2\\_P.3d\\_stp.zip](#)

English

By downloading the CAD file I accept and agree to the [Terms and Conditions](#) of use.