

344079-1 ✓ ACTIVE

AMP | Ultra-Fast 250

TE Internal #: 344079-1

Receptacle, Wire-to-Wire, 8 Position, .354 in [9 mm] Centerline, Sealable, Black, Wire & Cable, Cable Mount (Free-Hanging), Ultra-Fast 250

[View on TE.com >](#)



Connectors > Automotive Connectors > Automotive Housings



Connector System: **Wire-to-Wire**

Number of Positions: **8**

Connector & Housing Type: **Receptacle**

Centerline (Pitch): **9 mm [ .354 in ]**

Sealable: **Yes**

## Features

### Product Type Features

Mixed & Hybrid Connector	No
Connector System	Wire-to-Wire
Connector & Housing Type	Receptacle
Sealable	Yes
Connector & Contact Terminates To	Wire & Cable
Primary Locking Feature	On the Terminal

### Configuration Features

Number of Positions	8
Number of Rows	3

### Body Features

Primary Product Color	Black
-----------------------	-------

### Mechanical Attachment

Connector Mounting Type	Cable Mount (Free-Hanging)
-------------------------	----------------------------

### Housing Features

Centerline (Pitch)	9 mm [.354 in]
--------------------	----------------

### Other

Connector Position Assurance Capable	No
--------------------------------------	----

## Product Compliance

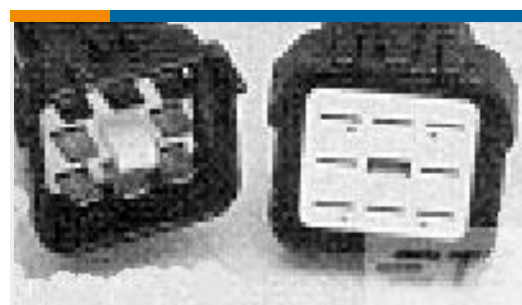
[For compliance documentation, visit the product page on TE.com>](#)

EU RoHS Directive 2011/65/EU	Compliant
EU ELV Directive 2000/53/EC	Compliant
China RoHS 2 Directive MIIT Order No 32, 2016	No Restricted Materials Above Threshold
EU REACH Regulation (EC) No. 1907/2006	Current ECHA Candidate List: JUNE 2023 (235) Candidate List Declared Against: JUL 2017 (174) Does not contain REACH SVHC
Halogen Content	Low Halogen - Br, Cl, F, I < 900 ppm per homogenous material. Also BFR/CFR/PVC Free
Solder Process Capability	Not applicable for solder process capability

### Product Compliance Disclaimer

This information is provided based on reasonable inquiry of our suppliers and represents our current actual knowledge based on the information they provided. This information is subject to change. The part numbers that TE has identified as EU RoHS compliant have a maximum concentration of 0.1% by weight in homogenous materials for lead, hexavalent chromium, mercury, PBB, PBDE, DBP, BBP, DEHP, DIBP, and 0.01% for cadmium, or qualify for an exemption to these limits as defined in the Annexes of Directive 2011/65/EU (RoHS2). Finished electrical and electronic equipment products will be CE marked as required by Directive 2011/65/EU. Components may not be CE marked. Additionally, the part numbers that TE has identified as EU ELV compliant have a maximum concentration of 0.1% by weight in homogenous materials for lead, hexavalent chromium, and mercury, and 0.01% for cadmium, or qualify for an exemption to these limits as defined in the Annexes of Directive 2000/53/EC (ELV). Regarding the REACH Regulation, the information TE provides on SVHC in articles for this part number is based on the latest European Chemicals Agency (ECHA) 'Guidance on requirements for substances in articles' posted at this URL: <https://echa.europa.eu/guidance-documents/guidance-on-reach>

## Compatible Parts

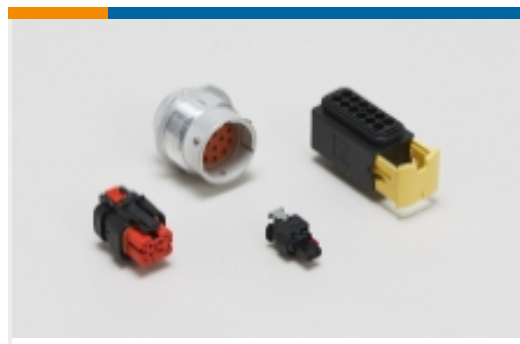


TE Part # 344073-1  
8 WAY TAB HSG.BLACK

Also in the Series | [Ultra-Fast 250](#)



Automotive Connector Caps & Covers (1)



Automotive Housings(5)



Quick Disconnects(49)

## Customers Also Bought



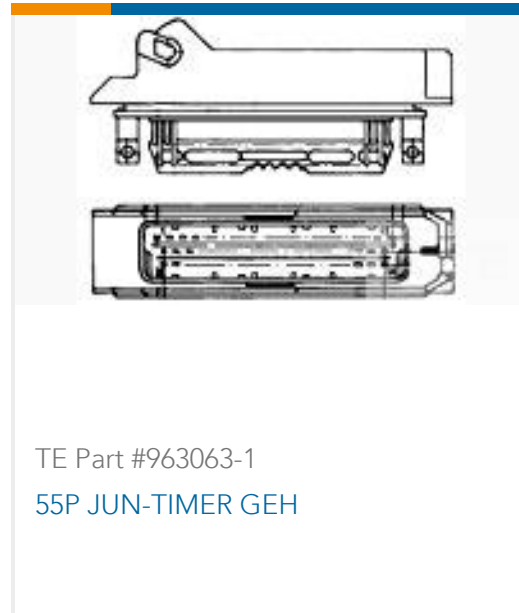
TE Part #1-1393210-3  
T9AS1D12-12



TE Part #344111-1  
36W EMS.REC. HSG.ASSY



TE Part #964972-1  
EINZELLEITERDICHTNG



TE Part #963063-1  
55P JUN-TIMER GEH



TE Part #927845-2  
JPT SL REC 2.8 Contact SRC Sn



TE Part #344112-1  
36W EMS.REC.ANTI-BACKOUT



TE Part #344085-1  
8W RECP. ANTI-BACKOUT



TE Part #184207-1  
2 POS. PLUG ASSY, KEY J



TE Part #DT06-3S-EP06  
PLG, 3P, BLK, N, SEAL RET, CAP



TE Part #AS020-39SN  
RECEPT.2 HOLE MNT.TYPE 0

## Documents

### Product Drawings

[RECPT. HSG. ASSY. 8 WAY](#)

English

### CAD Files

Customer View Model

[ENG\\_CVM\\_CVM\\_344079-1\\_C.2d\\_dxf.zip](#)

English

[3D PDF](#)



3D

Customer View Model

[ENG\\_CVM\\_CVM\\_344079-1\\_C.3d\\_igs.zip](#)

English

Customer View Model

[ENG\\_CVM\\_CVM\\_344079-1\\_C.3d\\_stp.zip](#)

English

By downloading the CAD file I accept and agree to the [Terms and Conditions](#) of use.