



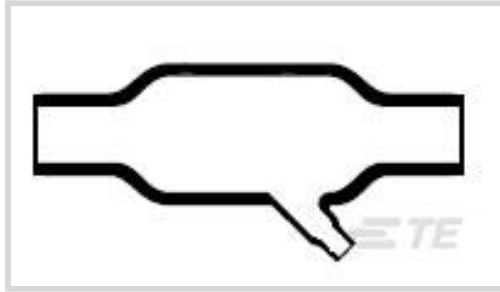
RAYCHEM

TE Internal #: 823605-000

Y Shape, 3 Branches , 3, 10, -55 – 135 °C [-67 – 275 °F], S1017 / S1048, Occasional Fluid Exposure, Cable Transitions & Breakouts

[View on TE.com >](#)

Wire Protection & Management > Heat Shrink Shapes > Cable Transitions & Breakouts



Molded Part Shape: **Y Shape**

Number of Branches & Legs: **3**

Material Code: **3**

Material Systems Code: **10**

Adhesive Requirement: **Adhesive Purchased Separately**

**Features**

**Product Type Features**

Molded Part Shape	Y Shape
-------------------	---------

**Configuration Features**

Number of Branches & Legs	3
Adhesive Requirement	Adhesive Purchased Separately

**Body Features**

Primary Product Material	Semi-Rigid Modified Polyolefin
Material Code	3
Material Systems Code	10

**Dimensions**

Inside Diameter Range (Leg 2)	3.6 – 6.6 mm [.14 – .26 in]
Inside Diameter Range (Body)	6.9 – 13.2 mm [.27 – .52 in]
Inside Diameter Range (Leg 1)	6.9 – 13.2 mm [.27 – .52 in]

**Usage Conditions**

Operating Temperature Range	-55 – 135 °C [-67 – 275 °F]
Resistance Protection	Occasional Fluid Exposure

**Other**

Size Code	012
Molded Part Shape Code	342A



Adhesive Code	S1017, S1048
---------------	--------------

### Product Compliance

[For compliance documentation, visit the product page on TE.com>](#)

EU RoHS Directive 2011/65/EU	Compliant
EU ELV Directive 2000/53/EC	Compliant
China RoHS 2 Directive MIIT Order No 32, 2016	No Restricted Materials Above Threshold
EU REACH Regulation (EC) No. 1907/2006	Current ECHA Candidate List: JUNE 2024 (241) Candidate List Declared Against: JUNE 2024 (241) Does not contain REACH SVHC
Halogen Content	Not Low Halogen - contains Br or Cl > 900 ppm.
Solder Process Capability	Not applicable for solder process capability

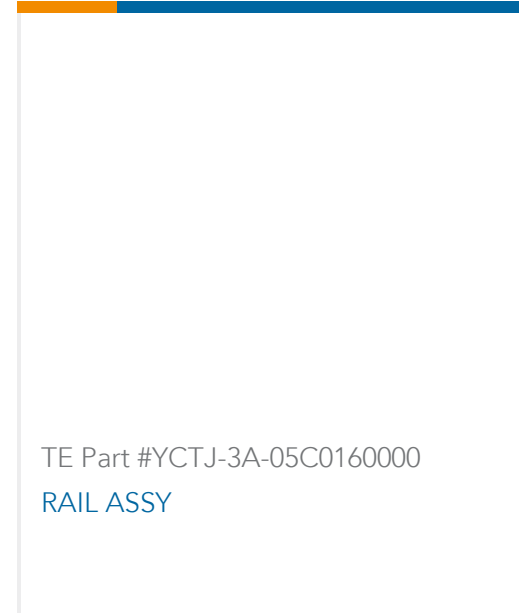
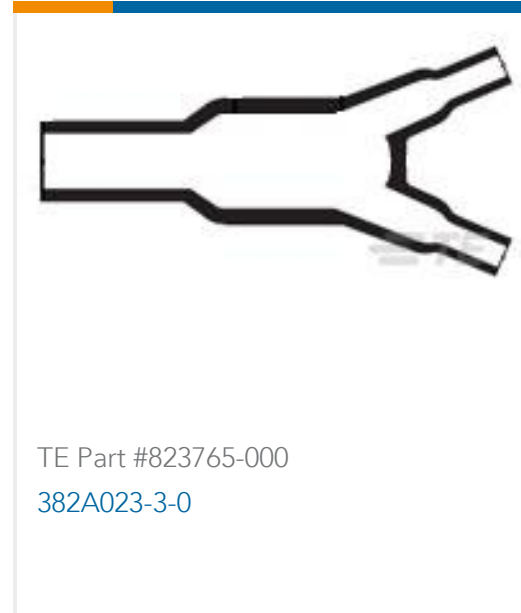
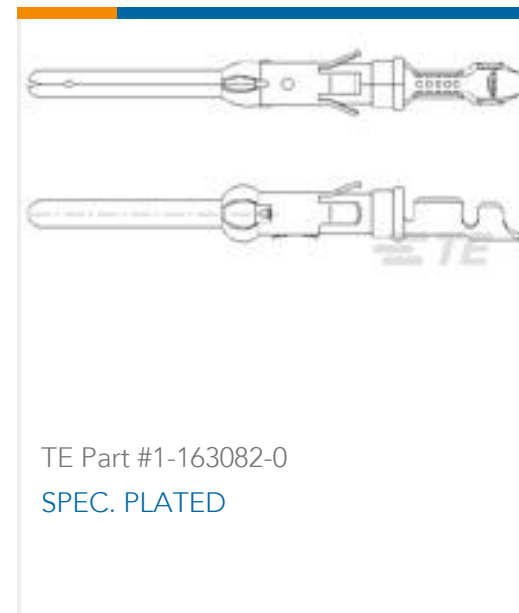
#### Product Compliance Disclaimer

This information is provided based on reasonable inquiry of our suppliers and represents our current actual knowledge based on the information they provided. This information is subject to change. The part numbers that TE has identified as EU RoHS compliant have a maximum concentration of 0.1% by weight in homogenous materials for lead, hexavalent chromium, mercury, PBB, PBDE, DBP, BBP, DEHP, DIBP, and 0.01% for cadmium, or qualify for an exemption to these limits as defined in the Annexes of Directive 2011/65/EU (RoHS2). Finished electrical and electronic equipment products will be CE marked as required by Directive 2011/65/EU. Components may not be CE marked. Additionally, the part numbers that TE has identified as EU ELV compliant have a maximum concentration of 0.1% by weight in homogenous materials for lead, hexavalent chromium, and mercury, and 0.01% for cadmium, or qualify for an exemption to these limits as defined in the Annexes of Directive 2000/53/EC (ELV). Regarding the REACH Regulation, the information TE provides on SVHC in articles for this part number is based on the latest European Chemicals Agency (ECHA) 'Guidance on requirements for substances in articles' posted at this URL: <https://echa.europa.eu/guidance-documents/guidance-on-reach>

### Compatible Parts



### Customers Also Bought



## Documents

### Product Drawings

[342A012-3-00-0](#)

English

### Datasheets & Catalog Pages

[1654025\\_Sec4\\_-3](#)

English

### Raychem Molded Parts Visual Guide

English

### Product Specifications

[Product Specification](#)

English