

MILITARY PRODUCTS

Magnetically Shielded Chip Inductors

M83446/11 - Series 34,000

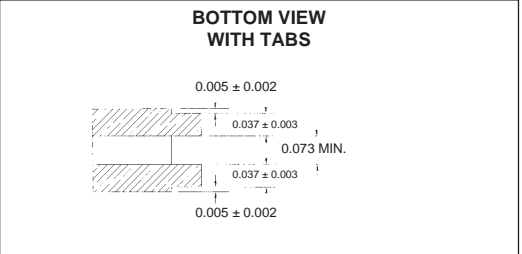
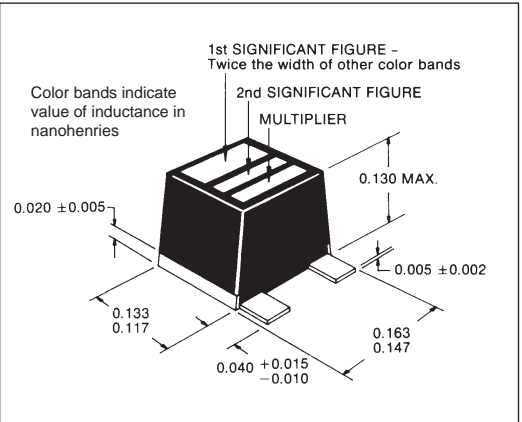
Qualified Product Listed

MIL-PRF-83446

IN	MM
0.163	4.140
0.147	3.734
0.133	3.378
0.130	3.302
0.117	2.972
0.073	1.854
0.040	1.016
0.037	0.940
0.020	0.508
0.015	0.381
0.010	0.254
0.005	0.127
0.003	0.076
0.002	0.051

CONVERSION

WITH TAB TERMINATIONS		WITHOUT TAB TERMINATIONS		ACTUAL SIZE							
M83446/11 Dash No.	VE P/N	M83446/11 Dash No.	VE P/N	Inductance uH	Min Q	Typ Q	Test Freq MHz	SRF MHz	DCR Ohms	Current mA	
-01	34000	-62	34000 NT	0.10	90	100	25	600	0.03	1000	
-02	34001	-63	34001 NT	0.12	90	100	25	520	0.03	1000	
-03	34002	-64	34002 NT	0.15	90	100	25	490	0.03	1000	
-04	34003	-65	34003 NT	0.18	90	100	25	460	0.04	1000	
-05	34004	-66	34004 NT	0.22	90	100	25	430	0.04	1000	
-06	34005	-67	34005 NT	0.27	100	113	25	370	0.04	1000	
-07	34006	-68	34006 NT	0.33	105	120	25	310	0.05	750	
-08	34007	-69	34007 NT	0.39	115	130	25	280	0.05	750	
-09	34008	-70	34008 NT	0.47	120	135	25	260	0.05	750	
-10	34009	-71	34009 NT	0.56	120	135	25	240	0.06	700	
-11	34010	-72	34010 NT	0.68	120	135	25	200	0.06	700	
-12	34011	-73	34011 NT	0.82	120	135	25	185	0.06	700	
-13	34012	-74	34012 NT	1.00	120	135	25	175	0.09	650	
-14	34013	-75	34013 NT	1.20	90	100	7.9	150	0.09	650	
-15	34014	-76	34014 NT	1.50	100	115	7.9	135	0.14	600	
-16	34015	-77	34015 NT	1.80	100	115	7.9	120	0.20	500	
-17	34016	-78	34016 NT	2.20	100	115	7.9	105	0.30	400	
-18	34017	-79	34017 NT	2.70	100	115	7.9	85	0.40	350	
-19	34018	-80	34018 NT	3.30	100	115	7.9	80	0.46	330	
-20	34019	-81	34019 NT	3.90	105	120	7.9	64	0.52	310	
-21	34020	-82	34020 NT	4.70	115	130	7.9	56	0.54	300	
-22	34021	-83	34021 NT	5.60	115	130	7.9	49	0.60	285	
-23	34022	-84	34022 NT	6.80	115	130	7.9	45	0.66	270	
-24	34023	-85	34023 NT	8.20	115	130	7.9	41	1.00	225	
-25	34024	-86	34024 NT	10	125	140	7.9	39	1.20	200	
-26	34025	-87	34025 NT	12	100	113	2.5	34	1.5	180	
-27	34026	-88	34026 NT	15	100	113	2.5	30	1.8	170	
-28	34027	-89	34027 NT	18	100	113	2.5	26	1.9	160	
-29	34028	-90	34028 NT	22	105	120	2.5	23	2.1	150	
-30	34029	-91	34029 NT	27	110	125	2.5	20	2.4	140	
-31	34030	-92	34030 NT	33	120	135	2.5	18	2.7	130	
-32	34031	-93	34031 NT	39	120	135	2.5	17	3.1	125	
-33	34032	-94	34032 NT	47	120	135	2.5	16	3.2	125	
-34	34033	-95	34033 NT	56	110	125	2.5	14	3.5	120	
-35	34034	-96	34034 NT	68	110	125	2.5	12	4.0	111	
-36	34035	-97	34035 NT	82	110	125	2.5	10	4.8	102	
-37	34036	-98	34036 NT	100	110	125	2.5	9.4	5.7	93	
-38	34037	-99	34037 NT	120	85	95	0.79	8.0	6.2	89	
-39	34038	-100	34038 NT	150	85	95	0.79	8.0	6.3	89	
-40	34039	-101	34039 NT	180	85	95	0.79	6.9	6.4	88	
-41	34040	-102	34040 NT	220	85	95	0.79	6.1	7.4	82	
-42	34041	-103	34041 NT	270	85	95	0.79	5.2	8.1	78	
-43	34042	-104	34042 NT	330	100	113	0.79	4.6	8.8	75	
-44	34043	-105	34043 NT	390	100	113	0.79	4.0	9.7	72	
-45	34044	-106	34044 NT	470	100	113	0.79	3.6	10	69	
-46	34045	-107	34045 NT	560	100	113	0.79	2.8	11	66	
-47	34046	-108	34046 NT	680	100	113	0.79	2.3	12	64	
-48	34047	-109	34047 NT	820	95	106	0.79	2.1	17	53	
-49	34048	-110	34048 NT	1000	95	106	0.79	2.0	22	47	
-50	34049	-111	34049 NT	1200	75	87	0.25	1.7	24	45	
-51	34050	-112	34050 NT	1500	75	87	0.25	1.6	25	44	
-52	34051	-113	34051 NT	1800	75	87	0.25	1.5	27	43	
-53	34052	-114	34052 NT	2200	75	87	0.25	1.4	30	40	
-54	34053	-115	34053 NT	2700	75	87	0.25	1.3	34	38	
-55	34054	-116	34054 NT	3300	75	87	0.25	1.2	39	35	
-56	34055	-117	34055 NT	3900	75	87	0.25	1.1	56	29	
-57	34056	-118	34056 NT	4700	75	87	0.25	1.0	70	26	
-58	34057	-119	34057 NT	5600	75	87	0.25	0.90	80	25	
-59	34058	-120	34058 NT	6800	75	85	0.25	0.80	90	23	
-60	34059	-121	34059 NT	8200	75	85	0.25	0.70	100	22	
-61	34060	-122	34060 NT	10000	75	85	0.25	0.70	110	21	



Operating Temperature:
-55 °C to +125 °C

Standard Terminations:
Phosphor bronze with tin-lead coating, welded internal connections.

Optional Terminations:
Gold plated terminations on request, add suffix "G" to Vanguard part number when ordering.

Inductance Tolerance:
±10% , tighter tolerances and other inductance values up to 10,000 uH on request.

Part Numbers 34000 & 34000 NT thru 34060 & 34060 NT:
TCL = +1600 PPM/°C Max.

Information on Test Fixtures, Test Equipment & Q Curves can be found In the Technical Information section of website