

# ES-CAP-NO.1-C1-0-35MM ✓ ACTIVE

RAYCHEM | RAYCHEM ES-CAP

TE Internal #: 3371890003

Heat Shrink Caps, Dual Wall Wall, Adhesive Precoat, -40 – 105 °C  
[-40 – 221 °F], RAYCHEM ES-CAP

[View on TE.com >](#)



[Wire Protection & Management >](#) [Heat Shrink Shapes >](#) [Heat Shrink Caps >](#) [Splice Sealing End Cap\(ES-Cap\)](#)



Wall Type: **Dual Wall**

Adhesive Requirement: **Adhesive Precoat**

Operating Temperature Range: **-40 – 105 °C [-40 – 221 °F]**

[All Splice Sealing End Cap\(ES-Cap\) \(32\)](#)

## Features

### Product Type Features

Wall Type	Dual Wall
-----------	-----------

### Configuration Features

Modification	C1
Adhesive Requirement	Adhesive Precoat

### Body Features

Sealant Type	Anti-Flux
Lining Type	Adhesive
Shrink Ratio	4:1
Primary Product Material	Crosslinked Polyolefin
Flexibility	Semi-Rigid
Primary Product Color	Black

### Dimensions

Recovered Wall Thickness (Nominal)	1.2 mm[.047 in]
Recovered Inside Diameter (Max)	1.3 mm[.051 in]
Expanded Inside Diameter (Min)	5.7 mm[.224 in]
Compatible Cable Diameter Range	5.7 mm[.22 in]
Wall Thickness	Thin
Product Length	35 mm[1.378 in]

### Usage Conditions

Flammability Requirement	Flame-Retardant
Fluid Resistance Type	Automatic Transmission Fluid, Brake Fluid, Diesel Fuel, Engine Cleaner, Engine Coolant, Lubricating Oil, Power Steering Fluid, Water
Resistance Properties	Limited Immersion Protection, Moisture & Spray Protection, Splash Protection
Operating Temperature Range	-40 – 105 °C[-40 – 221 °F]

### Operation/Application

Mechanical Resistance	Abrasion, Fluids, Mechanical Damage, Strain Relief
-----------------------	--

### Identification Marking

Marked	No.1
--------	------

### Industry Standards

UL Rating	Recognized
Compatible With Agency/Standards Products	UL

### Product Compliance

[For compliance documentation, visit the product page on TE.com>](#)

EU RoHS Directive 2011/65/EU	Compliant
EU ELV Directive 2000/53/EC	Compliant
China RoHS 2 Directive MIIT Order No 32, 2016	No Restricted Materials Above Threshold
EU REACH Regulation (EC) No. 1907/2006	Current ECHA Candidate List: JUNE 2024 (241) Candidate List Declared Against: JUNE 2024 (241) Does not contain REACH SVHC
Halogen Content	Not Low Halogen - contains Br or Cl > 900 ppm.
Solder Process Capability	Not applicable for solder process capability

#### Product Compliance Disclaimer

This information is provided based on reasonable inquiry of our suppliers and represents our current actual knowledge based on the information they provided. This information is subject to change. The part numbers that TE has identified as EU RoHS compliant have a maximum concentration of 0.1% by weight in homogenous materials for lead, hexavalent chromium, mercury, PBB, PBDE, DBP, BBP, DEHP, DIBP, and 0.01% for cadmium, or qualify for an exemption to these limits as defined in the Annexes of Directive 2011/65/EU (RoHS2). Finished electrical and electronic equipment products will be CE marked as required by Directive 2011/65/EU. Components may not be CE marked. Additionally, the part numbers that TE has identified as EU ELV compliant have a maximum concentration of 0.1% by weight in homogenous

materials for lead, hexavalent chromium, and mercury, and 0.01% for cadmium, or qualify for an exemption to these limits as defined in the Annexes of Directive 2000/53/EC (ELV). Regarding the REACH Regulation, the information TE provides on SVHC in articles for this part number is based on the latest European Chemicals Agency (ECHA) 'Guidance on requirements for substances in articles' posted at this URL: <https://echa.europa.eu/guidance-documents/guidance-on-reach>

## Compatible Parts



TE Part # EG1114-000  
CV1981-ST-230V1600W-EU



TE Part # 2280355-1  
220 V MODEL 17



TE Part # EG41000001  
ES-CAP-NO.1-C1-0-35MM



TE Part # 1-2234800-1  
RBK-X1, AUTO TRIGGER



TE Part # 1-2234800-3  
RBK-X1, W/ AIR COOLING



TE Part # 1-2234800-4  
RBK-X1 CE, W/ AIR COOLING



TE Part # 1-2376800-3  
RBK-X1C, W/ AIR COOLING



TE Part # 1-2376800-4  
RBK-X1C CE, W/ AIR COOLING



TE Part # 2234800-1  
RBK-X1 STD



TE Part # 2234800-2  
RBK-X1 CE STD



TE Part # 2326489-1  
MODEL 105 TUNNEL OVEN, 36"  
ENTRY, STAND A



TE Part # 2375310-1  
XB17 Belt Heater, 220V



TE Part # 2375310-2  
XB17 Belt Heater, 110V



TE Part # 2375320-1  
XB19 Belt Heater, STD



TE Part # 2375320-2  
XB19 Belt Heater, 150mm (6")  
Version



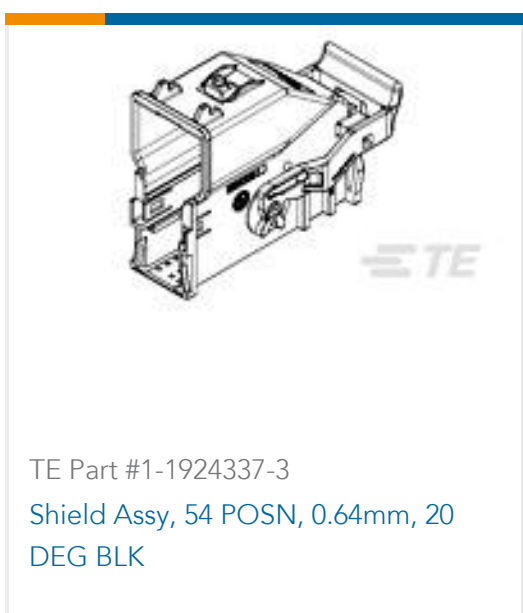
TE Part # 2376800-1  
RBK-X1C STD



Also in the Series | **RAYCHEM ES-CAP**



Customers Also Bought





## Documents

### Product Drawings

[ES-CAP-NO.1-C1-0-35MM](#)

English

---

### Datasheets & Catalog Pages

[Measuring\\_Single\\_Wall\\_Tubing](#)

English

[ES Caps Pages from 9-1773447-9](#)

English

[Selecting\\_Correct\\_Tubing\\_1216](#)

English

[ES CAP Data Sheet](#)

English

[Semirigid Adhesive-Lined, Polyolefin Heat-Shrinkable Sealing Caps](#)

English

---

### Product Specifications

[Application Specification](#)

English