



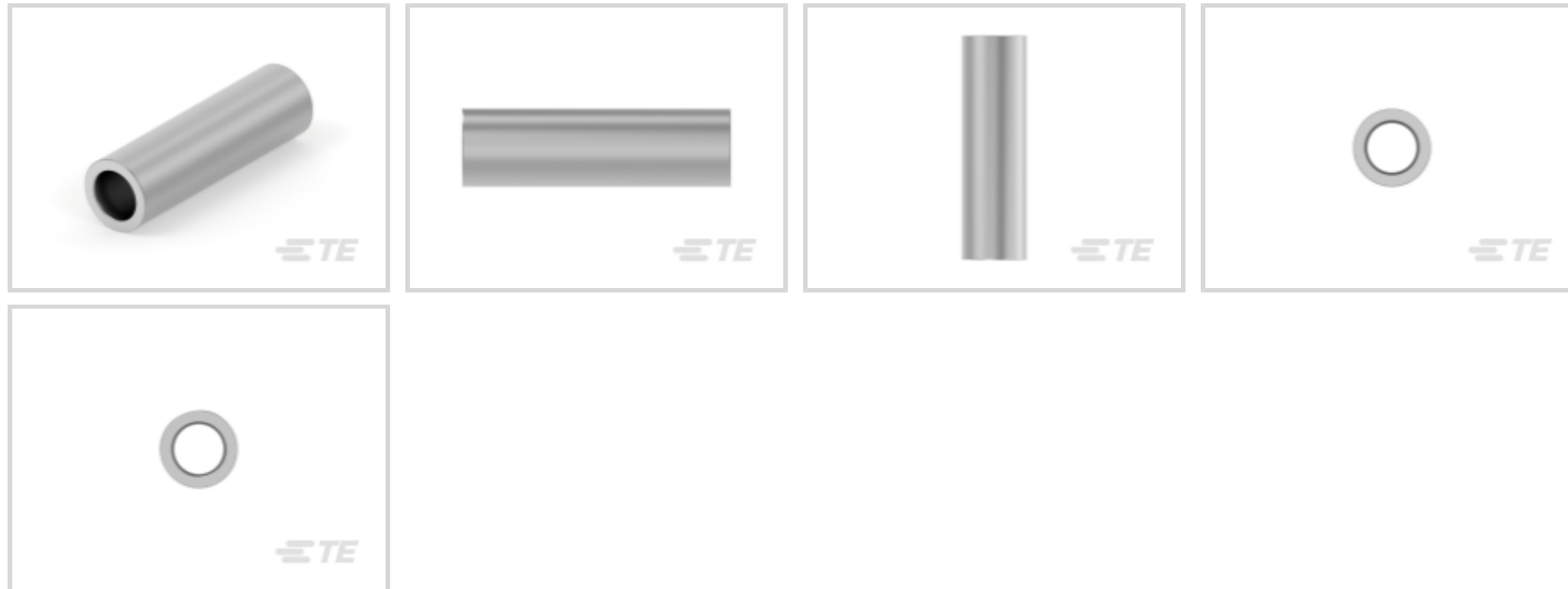
**SOLISTRAND**

TE Internal #: 330369

Splices, Butt Splice, 12 – 10 AWG Wire Size, 3 – 6 mm<sup>2</sup> Wire Size, Serrated, .129 in [3.28 mm] Barrel Inside Diameter, 5180 – 13100 CMA Wire Size

[View on TE.com >](#)

Terminals & Splices > Splices



Splice Type: **Butt Splice**

Wire Size: **3 – 6 mm<sup>2</sup>**

Sealable: **No**

Splice Features: **Serrated**

**Features**

**Product Type Features**

Splice Accessory Type	Splice
Splice Type	Butt Splice
Sealable	No
Compatible With Discrete Wire Type	Solid, Stranded
Wire Insulation Support Retention Type	Non-Insulation Support

**Configuration Features**

Number of Serrations	16
Compatible With Wire & Cable Type	Discrete Wire

**Body Features**

Splice Features	Serrated
-----------------	----------

**Contact Features**

Terminal Plating Thickness	2.54 μm[100 μin]
Terminal Plating Material	Tin
Contact Base Material	Copper



Barrel Type	Closed
-------------	--------

### Mechanical Attachment

Wire Insulation Support	Without
-------------------------	---------

### Dimensions

Recovered Inside Diameter	3.28 mm [.129 in]
---------------------------	-------------------

Outside Diameter	5.74 mm [.226 in]
------------------	-------------------

Wire Size	5180 – 13100 CMA
-----------	------------------

Barrel Inside Diameter	3.28 mm [.129 in]
------------------------	-------------------

Terminal Material Thickness	1.07 mm [.042 in]
-----------------------------	-------------------

Product Length	14.4 mm [.567 in]
----------------	-------------------

### Usage Conditions

Insulation Option	Uninsulated
-------------------	-------------

Operating Temperature Range	170 °C [338 °F]
-----------------------------	-----------------

### Operation/Application

Compatible With Wire Base Material	Copper
------------------------------------	--------

### Industry Standards

Government Qualified Splice	No
-----------------------------	----

### Packaging Features

Packaging Quantity	500
--------------------	-----

Packaging Method	Loose Piece
------------------	-------------

### Product Compliance

[For compliance documentation, visit the product page on TE.com>](#)

EU RoHS Directive 2011/65/EU	Compliant
------------------------------	-----------

EU ELV Directive 2000/53/EC	Compliant
-----------------------------	-----------

China RoHS 2 Directive MIIT Order No 32, 2016	No Restricted Materials Above Threshold
---	---

EU REACH Regulation (EC) No. 1907/2006	Current ECHA Candidate List: JUNE 2024 (241) Candidate List Declared Against: JUNE 2024 (241) Does not contain REACH SVHC
--	---

Halogen Content	Low Halogen - Br, Cl, F, I < 900 ppm per homogenous material. Also BFR/CFR/PVC Free
-----------------	---

Solder Process Capability

Not applicable for solder process capability

Product Compliance Disclaimer

This information is provided based on reasonable inquiry of our suppliers and represents our current actual knowledge based on the information they provided. This information is subject to change. The part numbers that TE has identified as EU RoHS compliant have a maximum concentration of 0.1% by weight in homogenous materials for lead, hexavalent chromium, mercury, PBB, PBDE, DBP, BBP, DEHP, DIBP, and 0.01% for cadmium, or qualify for an exemption to these limits as defined in the Annexes of Directive 2011/65/EU (RoHS2). Finished electrical and electronic equipment products will be CE marked as required by Directive 2011/65/EU. Components may not be CE marked. Additionally, the part numbers that TE has identified as EU ELV compliant have a maximum concentration of 0.1% by weight in homogenous materials for lead, hexavalent chromium, and mercury, and 0.01% for cadmium, or qualify for an exemption to these limits as defined in the Annexes of Directive 2000/53/EC (ELV). Regarding the REACH Regulation, the information TE provides on SVHC in articles for this part number is based on the latest European Chemicals Agency (ECHA) 'Guidance on requirements for substances in articles' posted at this URL: <https://echa.europa.eu/guidance-documents/guidance-on-reach>

### Compatible Parts



TE Part # 58545-1  
SOLISTRAND 10-22 DIE ASSY



REPRESENTATION ONLY

TE Part # 49935  
DAHT SOLIS 22-10 ASSY



TE Part # 58546-1  
PC 22-10 SOLISSPICE SPLI SHT



TE Part # 525693  
DAHT SOLIS 22-10 ASSY




TE Part # 58545-3  
SDE DIE ASSY. 22-10 SOLISTRAND



TE Part # 47814  
DIES SOLIS 12-10 DIE SET

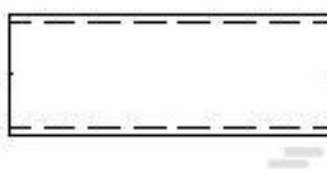


TE Part # 169400  
CERTI-LOK FRAME W/O DIES




TE Part # 58545-4  
SOLISTRAND 10-22 DIE ASSY.


### Customers Also Bought



TE Part #898369-000  
RT-1145-OX-75-0



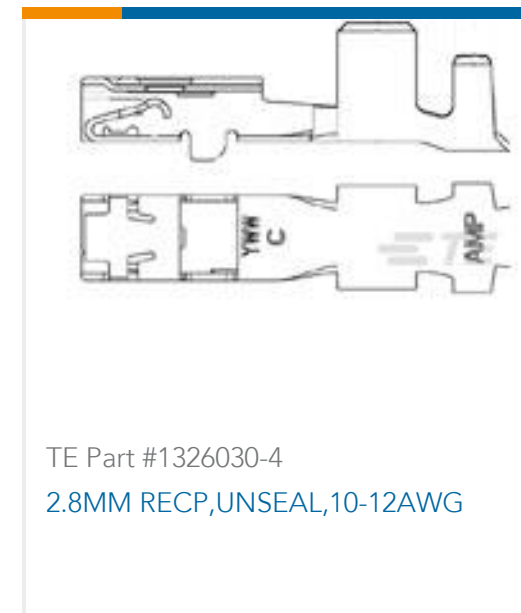
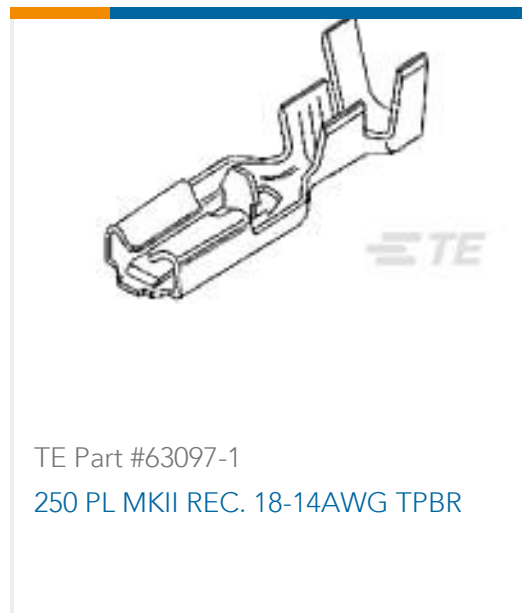
TE Part #36906  
SPLICE,SOLIS BUTT 8



TE Part #177469-000  
B-106-3632



TE Part #42946-2  
RING 12-8 AWG TPBR



## Documents

### Product Drawings

#### SPLICE,SOLIS BUTT 12-10

English

### CAD Files

#### 3D PDF

3D

#### Customer View Model

[ENG\\_CVM\\_CVM\\_330369\\_J.2d\\_dxf.zip](#)

English

#### Customer View Model

[ENG\\_CVM\\_CVM\\_330369\\_J.3d\\_igs.zip](#)

English

#### Customer View Model

[ENG\\_CVM\\_CVM\\_330369\\_J.3d\\_stp.zip](#)

English

By downloading the CAD file I accept and agree to the [Terms and Conditions](#) of use.

### Agency Approvals

#### UL Report

English