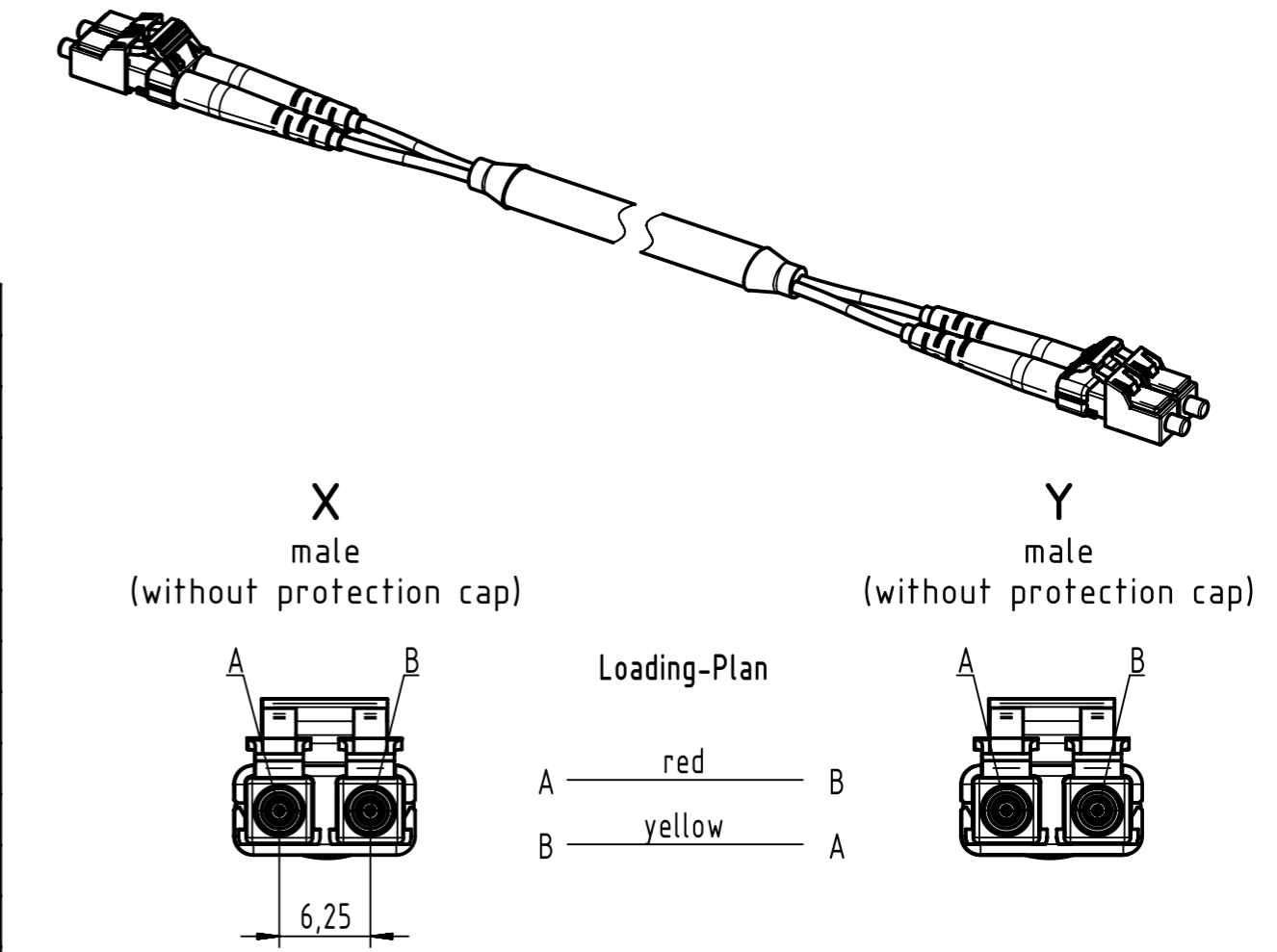


18	33012410300008	FO singlemode cable, 9/125µm	30
17	33012410250008		25
16	33012410200008		20
15	33012410150008		15
14	33012410140008		14
13	33012410130008		13
12	33012410120008		12
11	33012410110008		11
10	33012410100008		10
9	33012410090008		9
8	33012410080008		8
7	33012410070008		7
6	33012410060008		6
5	33012410050008		5
4	33012410040008		4
3	33012410030008		3
2	33012410020008		2
1	33012410010008		1
Cont. no.	Part no.	Type of cable	Dim. a[m]



	All rights reserved	Created by COSTEA Costea	Inspected by STOCHECIC Stochechi	Standardisation MUNTEANV Muntean	Date 2018-11-29	State Final Release
	Department HCS - RO	Title FO JUMPER CAB. ASSY 2x LC Duplex SM		Doc-Key / ECM-Nr. 100210841/UGD/009/C 500000144087		
HARTING Customised Solutions D-32339 Espelkamp		Type TB	Number 3301241XXX0008		Rev. C	Page 1/1