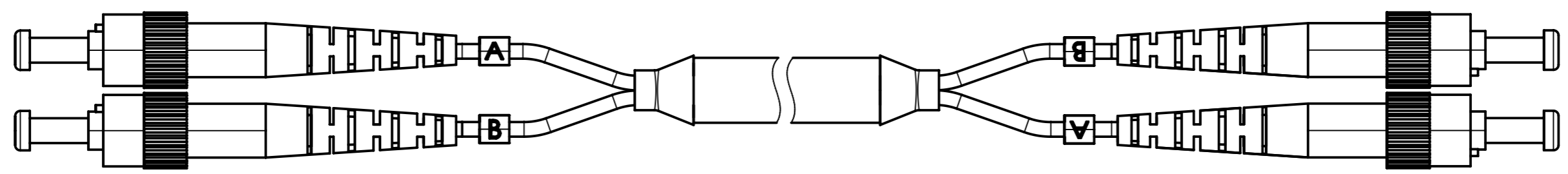
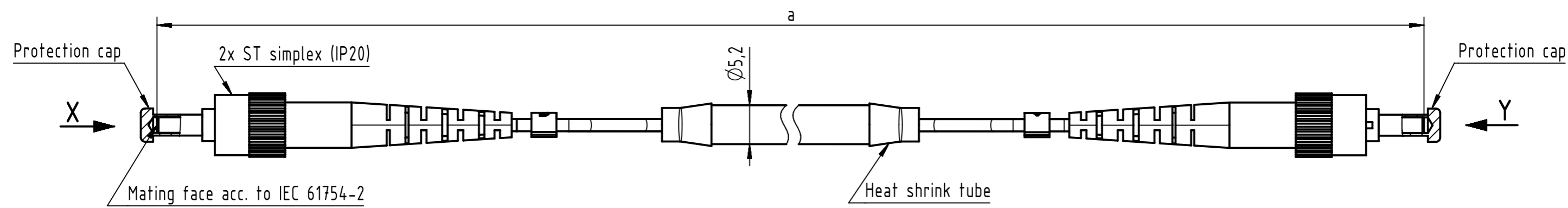


Connector Location A

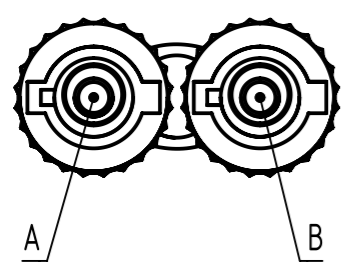
Connector Location B



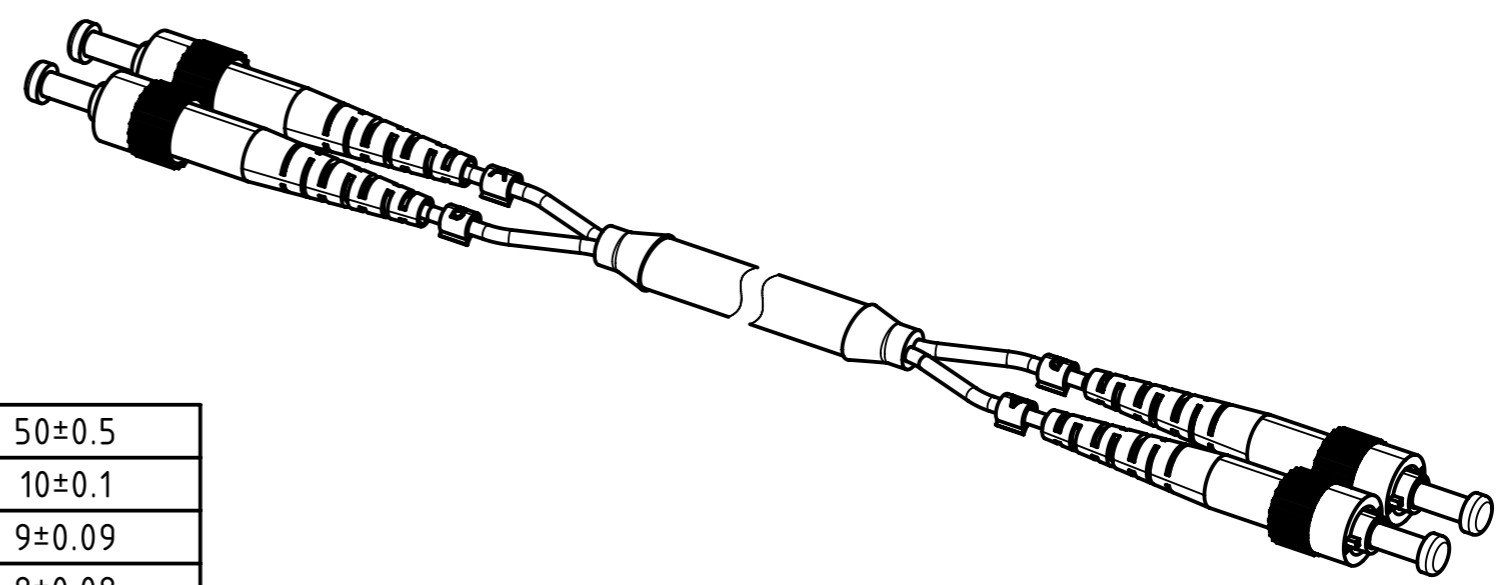
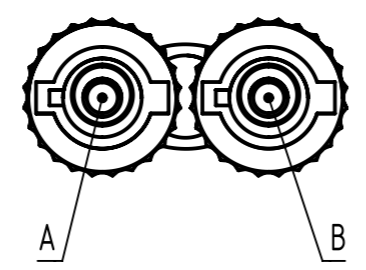
X
male
(without protection cap)

Y
male
(without protection cap)

Loading-Plan



A — red — B
B — green — A



11	3301241050007	FO multimode, 50/125µm	50±0.5
10	3301241010007		10±0.1
9	3301241009007		9±0.09
8	3301241008007		8±0.08
7	3301241007007		7±0.07
6	3301241006007		6±0.06
5	3301241005007		5±0.05
4	3301241004007		4±0.04
3	3301241003007		3±0.03
2	3301241002007		2±0.02
1	3301241001007		1±0.015
Cont. no.	Part no.	Type of cable	Dim. a[m]

	All rights reserved		Created by STOCHECIC		Inspected by MUNTEANV		Standardisation MUNTEANV		Date 2018-01-10		State Final Release	
	Department HCS - RO		Title ST Cable Assembly		Type TB		Number 3301241XXX0007		Doc-Key / ECM-Nr. 100739128/UGD/000/B 500000129821		Rev. B Page 1/1	
HARTING Customised Solutions D-32339 Espelkamp			All Dimensions in mm		Tech. Character.		Free size tol.		According to production drawing			