



RAYCHEM | RAYCHEM TXR

TE Internal #: 327541-000

Ruggedized, Backshell, .01 - .63 in [.2 - 15.9 mm] Cable Entry, Nickel

Aluminum Bronze, Straight, Shell Size D / 15, Entry Size Code 10,

RAYCHEM TXR

[View on TE.com >](#)

Connectors > Connector Accessories > Connector Backshells



Connector Backshell Product Style: **Ruggedized**

Connector Backshell Product Type: **Backshell**

Cable Entry Diameter: **.2 - 15.9 mm [.01 - .63 in]**

Primary Product Material: **Nickel Aluminum Bronze**

Body Orientation: **Straight**

Features

Product Type Features

Termination Device Included	TR10AI
Connector Backshell Product Style	Ruggedized
Connector Backshell Product Type	Backshell
Termination Device Type	Side-Entry Tinel-Lock Ring, Tinel-Lock Adapter, Tinel-Lock Ring

Body Features

Primary Product Material	Nickel Aluminum Bronze
Primary Product Plating Material	Unplated (Shotblast Glass Bead)

Housing Features

Body Orientation	Straight
Compatible With Connector Shape	Circular

Dimensions

Compatible Cable Diameter Range	7.9 - 12.7 mm [.313 - .5 in]
Product Length	26.5 mm [1.04 in]
Cable Entry Diameter	.2 - 15.9 mm [.01 - .63 in]

Usage Conditions

Salt Spray Resistance	1000 Hr
-----------------------	---------



Operating Temperature Range	-65 - 260 °C[-85 - 500 °F]
-----------------------------	----------------------------

Operation/Application

Compatible With Connector Shell Size	D, 15
--------------------------------------	-------

Industry Standards

Connector Detail Specification Number	D38999/20, D38999/24, D38999/26, D38999/40, D38999/42, D38999/46, D38999/47
---------------------------------------	---

Other

Connector Interface Specification	MIL-DTL-38999 Series III/Class C,F,K,W, MIL-DTL-38999 Series IV/Class C,F,W, MIL-DTL-38999 Series IV/Class C,W, MIL-DTL-38999 Series IV/Class F,W
-----------------------------------	---

TE Connector Interface Code	40
-----------------------------	----

Entry Size Code	10
-----------------	----

Product Compliance

[For compliance documentation, visit the product page on TE.com>](#)

EU RoHS Directive 2011/65/EU	Compliant
------------------------------	-----------

EU ELV Directive 2000/53/EC	Compliant
-----------------------------	-----------

China RoHS 2 Directive MIIT Order No 32, 2016	No Restricted Materials Above Threshold
---	---

EU REACH Regulation (EC) No. 1907/2006	Current ECHA Candidate List: JAN 2024 (240) Candidate List Declared Against: JAN 2024 (240) Does not contain REACH SVHC
--	---

Halogen Content	Low Halogen - Br, Cl, F, I < 900 ppm per homogenous material. Also BFR/CFR/PVC Free
-----------------	---

Solder Process Capability	Not applicable for solder process capability
---------------------------	--

Product Compliance Disclaimer

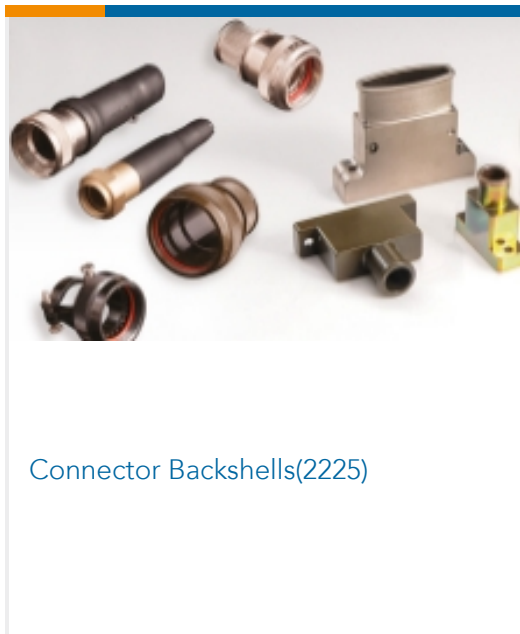
This information is provided based on reasonable inquiry of our suppliers and represents our current actual knowledge based on the information they provided. This information is subject to change. The part numbers that TE has identified as EU RoHS compliant have a maximum concentration of 0.1% by weight in homogenous materials for lead, hexavalent chromium, mercury, PBB, PBDE, DBP, BBP, DEHP, DIBP, and 0.01% for cadmium, or qualify for an exemption to these limits as defined in the Annexes of Directive 2011/65/EU (RoHS2). Finished electrical and electronic equipment products will be CE marked as required by Directive 2011/65/EU. Components may not be CE marked. Additionally, the part numbers that TE has identified as EU ELV compliant have a maximum concentration of 0.1% by weight in homogenous materials for lead, hexavalent chromium, and mercury, and 0.01% for cadmium, or qualify for an exemption to these limits as defined in the Annexes of Directive 2000/53/EC (ELV). Regarding the REACH Regulation, the information TE provides on SVHC in articles for this part number is based on the latest European Chemicals Agency (ECHA) 'Guidance on requirements for substances in articles' posted at this URL: <https://echa.europa.eu/guidance-documents/guidance-on-reach>

Compatible Parts



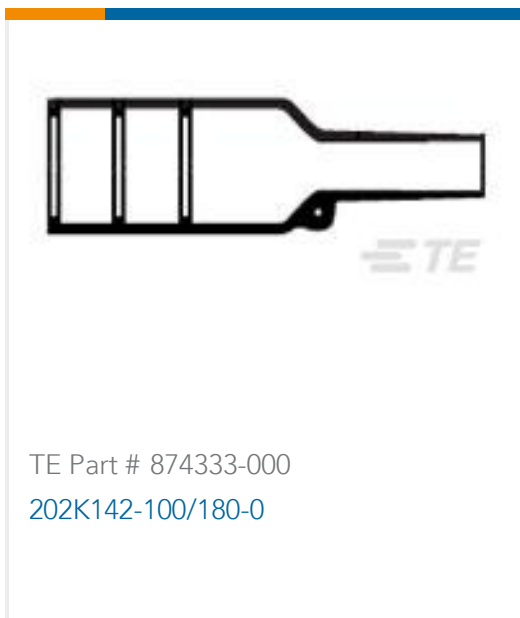
TE Part # 173643-000
RH-3960-1-TINEL-KIT-120V

Also in the Series | RAYCHEM TXR



Connector Backshells(2225)

Customers Also Bought



TE Part # 874333-000
202K142-100/180-0



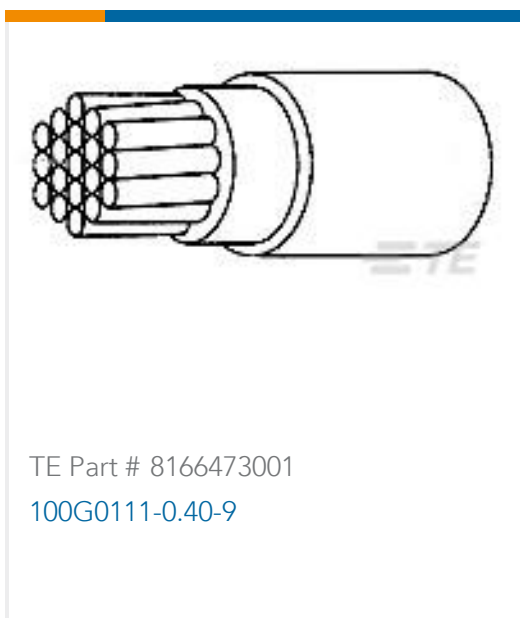
TE Part # 293973-000
TXR40AB00-1612AI



TE Part # YDTS26W19-32PNV001
PLUG ASSY



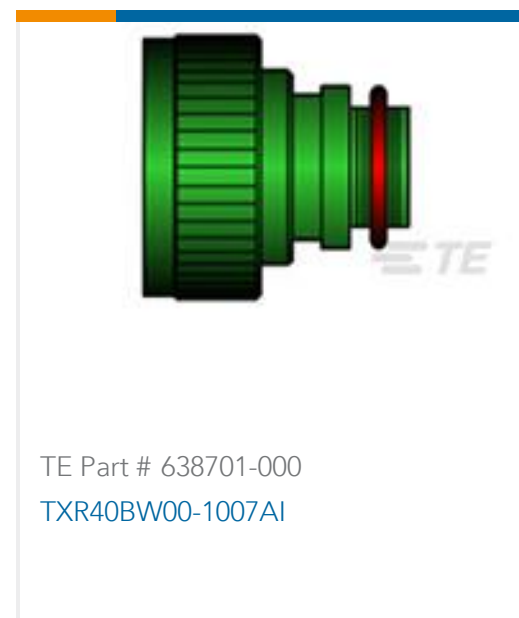
TE Part # 3823093019
44A1131-22-0/2/9-9



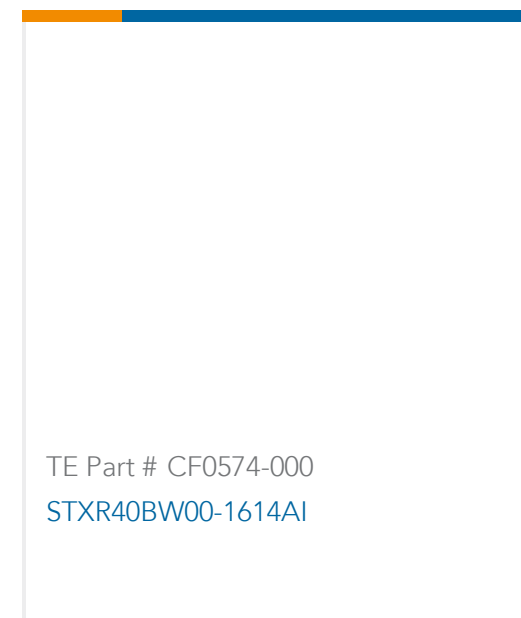
TE Part # 8166473001
100G0111-0.40-9



TE Part # 893991-000
STXR40SJ00-1412AI



TE Part # 638701-000
TXR40BW00-1007AI



TE Part # CF0574-000
STXR40BW00-1614AI

Documents

[Product Drawings](#)
[TXR40BW00-1410AI](#)

English

[Datasheets & Catalog Pages](#)



[5-1654025-5_sec6_Adapters](#)

English

[Product Specifications](#)

[PERFORMANCE SPECIFICATION Tinel-Lock Rings, Heat Recoverable for Braid Termination](#)

English

[General Harness Repair Manual](#)

English