

Ring cable lug - C-RCEI 6/M10



3241214

<https://www.phoenixcontact.com/pc/products/3241214>

Please be informed that the data shown in this PDF document is generated from our Online Catalog. Please find the complete data in the user documentation. Our General Terms of Use for Downloads are valid.

Ring cable lug, yellow, 4 ... 6 mm², M10, with copper sleeve incorporated, for insulation crimp



Commercial Data

Item number	3241214
Packing unit	100 pc
Minimum order quantity	1 pc
Product Key	BH3421
Catalog Page	Page 493 (C-3-2019)
GTIN	4046356826198
Weight per Piece (including packing)	2.724 g
Weight per Piece (excluding packing)	2.724 g
Customs tariff number	85369010
Country of origin	TW

Ring cable lug - C-RCEI 6/M10

3241214

<https://www.phoenixcontact.com/pc/products/3241214>

Technical Data

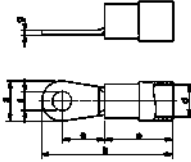
Product properties

Product type	Connector
--------------	-----------

Electrical properties

Fuse	yes
------	-----

Dimensions

Dimensional drawing	
Width	15 mm
Length	34.2 mm
Length of the insulating material sleeve	13 mm
Distance from the center to the insulating material sleeve	13.7 mm
Min. material thickness	1 mm
Inner dimensions of the insulating collar	6.5 mm

Internal dimensions

Internal diameter	10.5 mm
-------------------	---------

Material specifications

Color	yellow
Material	Copper
Flammability rating according to UL 94	V2
Coating	tin-plated
Insulating material	PA
Components	halogen-free

Environmental and real-life conditions

Ambient conditions

Optimum ambient temperature (storage/transport)	20 °C 50 % Humidity (RH), store inside sealed original packaging. Avoid direct sunlight and heat.
Ambient temperature (operation)	-20 °C ... 105 °C
Ambient temperature (assembly)	-20 °C ... 100 °C
Short-term temperature	100 °C

Ring cable lug - C-RCEI 6/M10

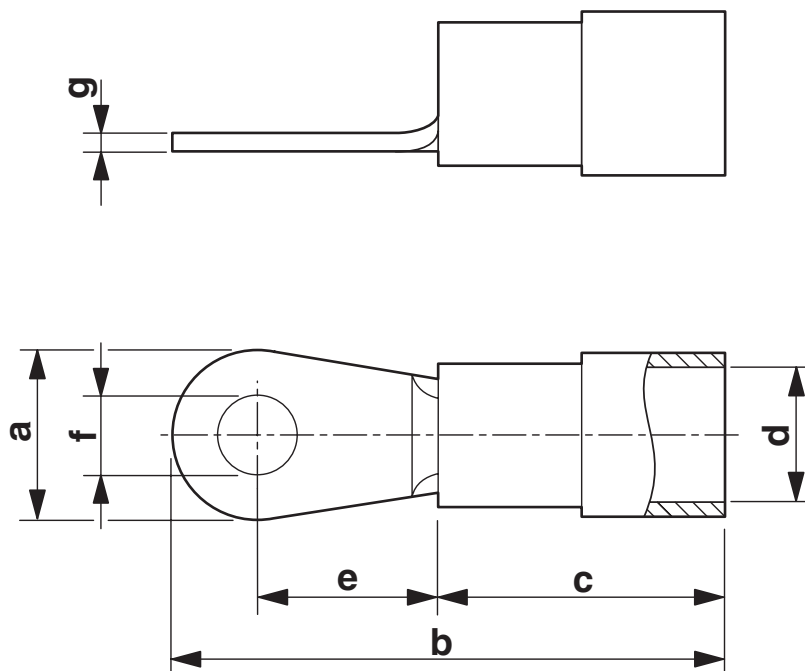
3241214

<https://www.phoenixcontact.com/pc/products/3241214>



Drawings

Dimensional drawing



Ring cable lug - C-RCEI 6/M10



3241214

<https://www.phoenixcontact.com/pc/products/3241214>

Classifications

ECLASS

ECLASS-9.0	27400204
ECLASS-10.0.1	27400204
ECLASS-11.0	27400204

ETIM

ETIM 8.0	EC001052
----------	----------

UNSPSC

UNSPSC 21.0	27121700
-------------	----------

Ring cable lug - C-RCEI 6/M10



3241214

<https://www.phoenixcontact.com/pc/products/3241214>

Environmental Product Compliance

China RoHS	Environmentally friendly use period: unlimited = EFUP-e
	No hazardous substances above threshold values

Phoenix Contact 2022 © - all rights reserved
<https://www.phoenixcontact.com>

PHOENIX CONTACT GmbH & Co. KG
Flachmarktstraße 8
D-32825 Blomberg
+49 (0) 5235-3 00
info@phoenixcontact.com