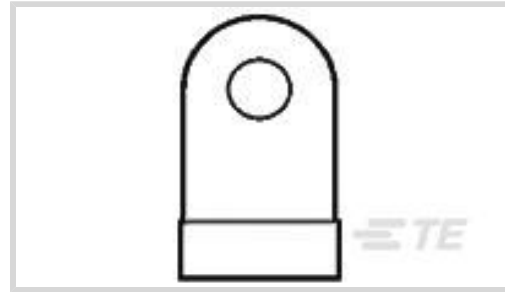




Terminals & Splices > Rings & Spades



Terminal & Splice Type: **Ring Tongue**

Wire Size: 2050 – 5180 CMA

Stud Size: #10

### Features

#### Product Type Features

Shape Description	RING-090
Stud Size	#10
Barrel Type	Closed Barrel
Sealable	No
Insulated	No
Wire/Cable Type	Regular Wire
Support Style	Non - Insulation Support

#### Configuration Features

Number of Holes	1
Terminal Angle	Straight

#### Body Features

Inspection Slot	No
Weight per Piece	1.24 g
Plating Material	Copper, Tin

#### Contact Features

Terminal & Splice Type	Ring Tongue
Terminal Orientation	Flag

#### Mechanical Attachment

Wire Insulation Support	Without
-------------------------	---------

#### Dimensions

--	--

Wire Size	2050 – 5180 CMA
Stud Diameter	5 mm[.197 in]
Tongue Thickness	.79 mm[.031 in]
Overall Length	14.71 mm[.579 in]
Barrel Inside Diameter	2.16 mm[.085 in]

### Usage Conditions

Operating Temperature Range	170 °C[338 °F]
-----------------------------	----------------

### Operation/Application

Heavy Duty	No
------------	----

### Industry Standards

Government Qualified	No
----------------------	----

### Packaging Features

Packaging Quantity	1000
Packaging Method	Loose Piece

### Product Compliance

[For compliance documentation, visit the product page on TE.com>](#)

EU RoHS Directive 2011/65/EU	Compliant
EU ELV Directive 2000/53/EC	Compliant
China RoHS 2 Directive MIIT Order No 32, 2016	No Restricted Materials Above Threshold
EU REACH Regulation (EC) No. 1907/2006	Current ECHA Candidate List: JUL 2019 (201) Candidate List Declared Against: JUL 2019 (201) Does not contain REACH SVHC
EU REACH Regulation (EC) No. 1907/2006	Current ECHA Candidate List: JUL 2019 (201) Candidate List Declared Against: JUL 2019 (201)
Halogen Content	Low Halogen - Br, Cl, F, I < 900 ppm per homogenous material. Also BFR/CFR/PVC Free
Solder Process Capability	Not applicable for solder process capability

#### Product Compliance Disclaimer

This information is provided based on reasonable inquiry of our suppliers and represents our current actual knowledge based on the information they provided. This information is subject to change. The part numbers that TE has identified as

EU RoHS compliant have a maximum concentration of 0.1% by weight in homogenous materials for lead, hexavalent chromium, mercury, PBB, PBDE, DBP, BBP, DEHP, DIBP, and 0.01% for cadmium, or qualify for an exemption to these limits as defined in the Annexes of Directive 2011/65/EU (RoHS2). Finished electrical and electronic equipment products will be CE marked as required by Directive 2011/65/EU. Components may not be CE marked. Additionally, the part numbers that TE has identified as EU ELV compliant have a maximum concentration of 0.1% by weight in homogenous materials for lead, hexavalent chromium, and mercury, and 0.01% for cadmium, or qualify for an exemption to these limits as defined in the Annexes of Directive 2000/53/EC (ELV). Regarding the REACH Regulations, TE's information on SVHC in articles for this part number is still based on the European Chemical Agency (ECHA) 'Guidance on requirements for substances in articles' (Version: 2, April 2011), applying the 0.1% weight on weight concentration threshold at the finished product level. TE is aware of the European Court of Justice ruling of September 10th, 2015 also known as O5A (Once An Article Always An Article) stating that, in case of 'complex object', the threshold for a SVHC must be applied to both the product as a whole and simultaneously to each of the articles forming part of its composition. TE has evaluated this ruling based on the new ECHA "Guidance on requirements for substances in articles" (June 2017, version 4.0) and will be updating its statements accordingly.

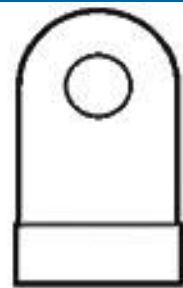
### Compatible Parts



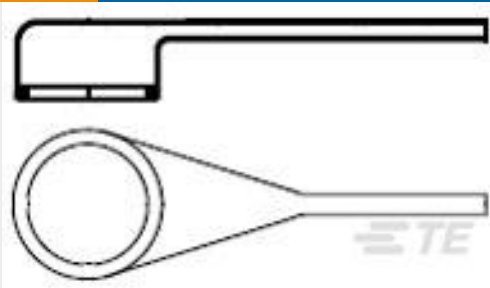
REPRESENTATION ONLY 

TE Model / Part # 49975  
DAHT SOLIS FLAG 16-14

### Customers Also Bought



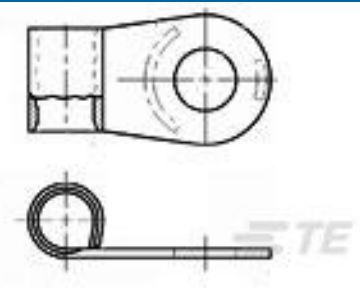
TE Model / Part #325069  
TERMINAL,SOLIS FLAG R 16-14 8



TE Model / Part #049285-000  
222D953-25/86-0



TE Model / Part #31181  
TERMINAL,BODY FLAG R 16-14 10



TE Model / Part #36271  
TERMINAL,SOLIS FLAG R 12-10 10



TE Model / Part #ABC03O-20P-4048  
IN-LINE RECP



TE Model / Part #ABC06O-20P-4048  
IN-LINE PLUG



TE Model / Part #49975  
DAHT SOLIS FLAG 16-14



TE Model / Part #4-1423159-0  
7012PKL=RLY,STD,ON,2P,125VDC,3



TE Model / Part #ABC03R-20P-4048  
IN-LINE RECP



TE Model / Part #YACT26MB98PCV00100  
STRAIGHT PLUG

## Documents

### Product Drawings

TERMINAL,SOLIS FLAG R 16-14 10

English

---

### Agency Approvals

UL

English