

322768 ✓ ACTIVE

SOLISTRAND

TE Internal #: 322768

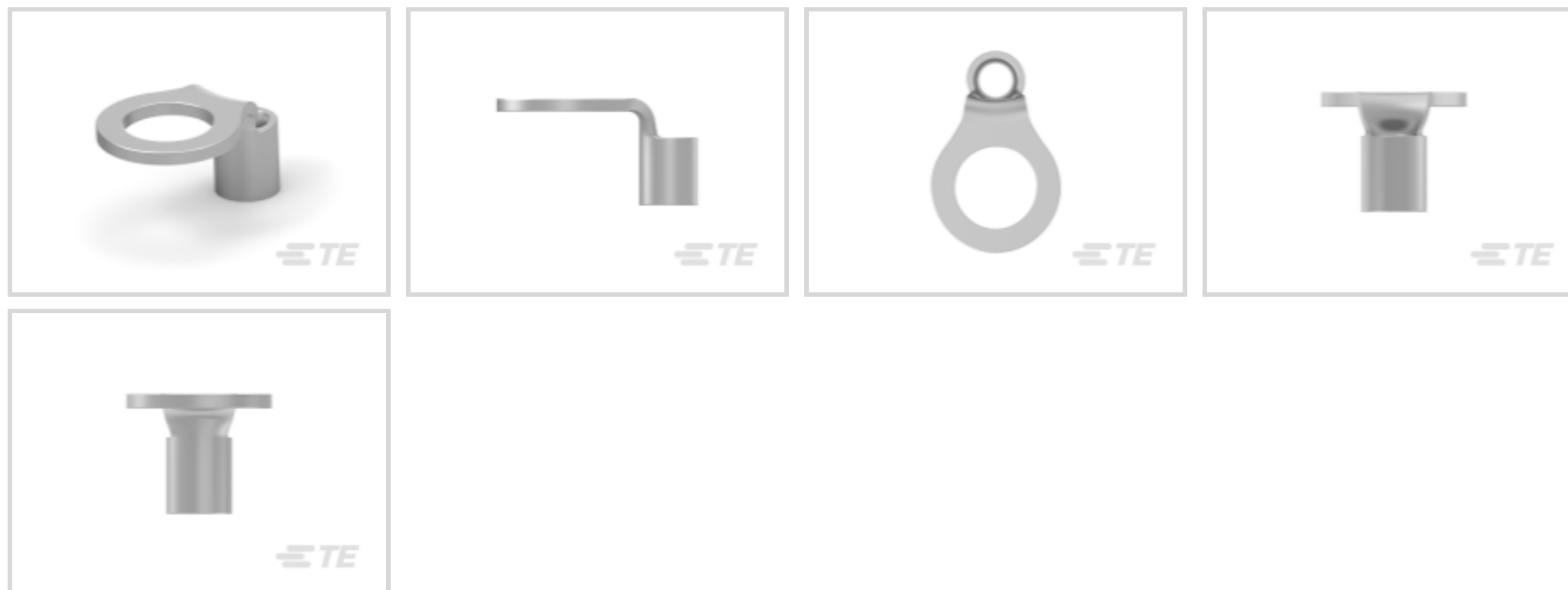
Rings & Spades, Ring Tongue, 22 – 16AWG Wire Size, .3 – 1.42mm²

Wire Size, 509 – 3260CMA Wire Size, #10, Stud Diameter 5 mm [.197 in]

[View on TE.com >](#)



Terminals & Splices > Rings & Spades



Terminal & Splice Type: **Ring Tongue**

Wire Size: **509 – 3260 CMA**

Stud Size: **#10**

Features

Product Type Features

Shape Description	RING-080
Stud Size	#10
Barrel Type	Closed Barrel
Sealable	No
Insulated	No
Wire/Cable Type	Regular Wire
Support Style	Insulation Support

Configuration Features

Number of Holes	2
Terminal Angle	90°

Body Features

Weight per Piece	.527 g
Plating Material	Copper, Tin

Contact Features

Terminal & Splice Type	Ring Tongue
------------------------	-------------



Terminal Orientation	Flag
----------------------	------

Mechanical Attachment

Wire Insulation Support	Without
-------------------------	---------

Dimensions

Wire Size	509 – 3260 CMA
-----------	----------------

Stud Diameter	5 mm [.197 in]
---------------	----------------

Tongue Thickness	.79 mm [.031 in]
------------------	------------------

Barrel Inside Diameter	1.549 mm [.061 in]
------------------------	--------------------

Usage Conditions

Operating Temperature Range	170 °C [338 °F]
-----------------------------	-----------------

Operation/Application

Heavy Duty	No
------------	----

Industry Standards

Government Qualified	No
----------------------	----

Packaging Features

Packaging Quantity	1000
--------------------	------

Packaging Method	Loose Piece
------------------	-------------

Product Compliance

[For compliance documentation, visit the product page on TE.com>](#)

EU RoHS Directive 2011/65/EU	Compliant
------------------------------	-----------

EU ELV Directive 2000/53/EC	Compliant
-----------------------------	-----------

China RoHS 2 Directive MIIT Order No 32, 2016	No Restricted Materials Above Threshold
---	---

EU REACH Regulation (EC) No. 1907/2006	Current ECHA Candidate List: JUN 2020 (209) Candidate List Declared Against: JUL 2019 (201) Does not contain REACH SVHC
--	---

Halogen Content	Low Halogen - Br, Cl, F, I < 900 ppm per homogenous material. Also BFR/CFR/PVC Free
-----------------	---

Solder Process Capability	Not applicable for solder process capability
---------------------------	--

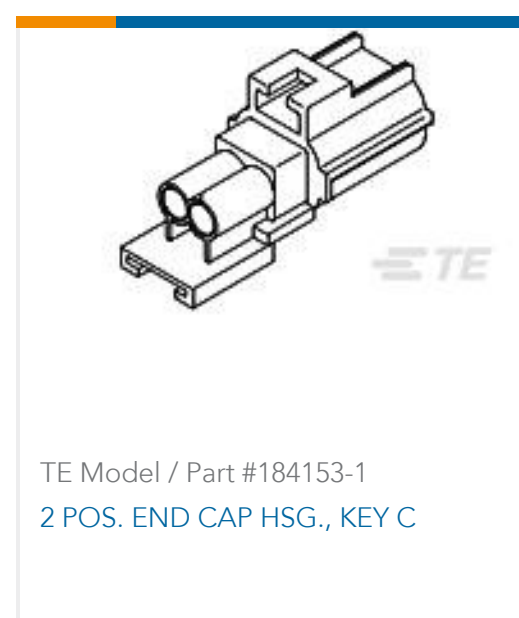
Product Compliance Disclaimer

This information is provided based on reasonable inquiry of our suppliers and represents our current actual knowledge based on the information they provided. This information is subject to change. The part numbers that TE has identified as EU RoHS compliant have a maximum concentration of 0.1% by weight in homogenous materials for lead, hexavalent chromium, mercury, PBB, PBDE, DBP, BBP, DEHP, DIBP, and 0.01% for cadmium, or qualify for an exemption to these limits as defined in the Annexes of Directive 2011/65/EU (RoHS2). Finished electrical and electronic equipment products will be CE marked as required by Directive 2011/65/EU. Components may not be CE marked. Additionally, the part numbers that TE has identified as EU ELV compliant have a maximum concentration of 0.1% by weight in homogenous materials for lead, hexavalent chromium, and mercury, and 0.01% for cadmium, or qualify for an exemption to these limits as defined in the Annexes of Directive 2000/53/EC (ELV). Regarding the REACH Regulation, the information TE provides on SVHC in articles for this part number is based on the latest European Chemicals Agency (ECHA) 'Guidance on requirements for substances in articles' posted at this URL: <https://echa.europa.eu/guidance-documents/guidance-on-reach>

Compatible Parts



Customers Also Bought



Documents

Product Drawings

TERMINAL,SOLIS R 90DEG 22-16

English

CAD Files

3D PDF



3D

Customer View Model

[ENG_CVM_CVM_322768_E.2d_dxf.zip](#)

English

Customer View Model

[ENG_CVM_CVM_322768_E.3d_igs.zip](#)

English

Customer View Model

[ENG_CVM_CVM_322768_E.3d_stp.zip](#)

English

By downloading the CAD file I accept and agree to the [Terms and Conditions](#) of use.

[Agency Approvals](#)

[UL Report](#)

English