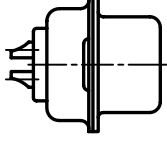
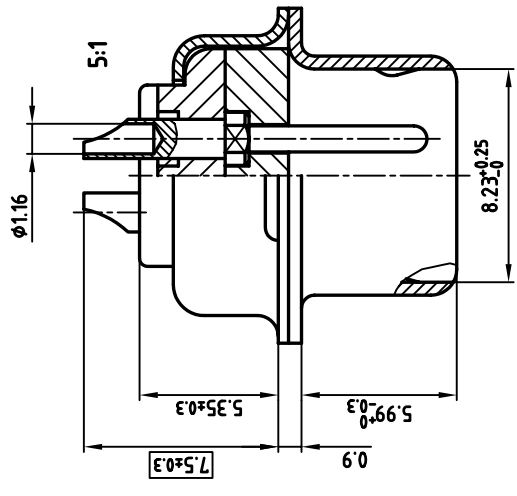
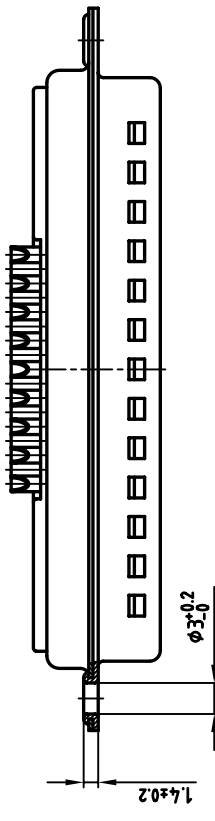
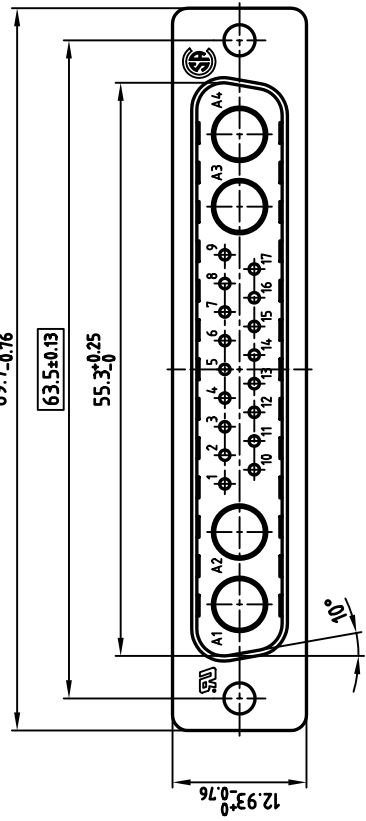


used for: D-SUB COMBINATION



**NOTES:**

1. METAL SHELLS: STEEL; TIN PLATED
2. INSULATORS: PBT GF, UL 94 V-0; GREEN
3. CONTACTS: COPPER ALLOY
4. PLATING: min. 30µ" HARD GOLD OVER min. 50µ" NICKEL
5.   = CRITICAL DIMENSION: SPC

Directive 2002/95/EC  
RoHS  
Compliant

tolerance		scale: 2:1 (5:1)		material: SEE NOTES	
1999	date	name	title:		
drawn	25.01.	Barcinski	<b>D-SUB COMBINATION MALE</b> 21WA4P SOLDER CUP		
appd.	25.01.	Mickenbecker			
norm					
e-old					
DO NOT ALTER CAD DRAWING BY HAND		OWNERSHIP AND COPYRIGHT OF CONEC GMBH		THIS DRAWING MAY NOT BE COPIED OR REPRODUCED IN ANY WAY, AND MAY NOT BE PASSED ON TO A THIRD PARTY WITHOUT WRITTEN PERMISSION.	
rev.	description	date	name		
				dwg no: <b>13K11M2A</b> [CAD/ REL:13] DIN-A sh: 1/1 product no: <b>321WA4PC99A10X</b>	