

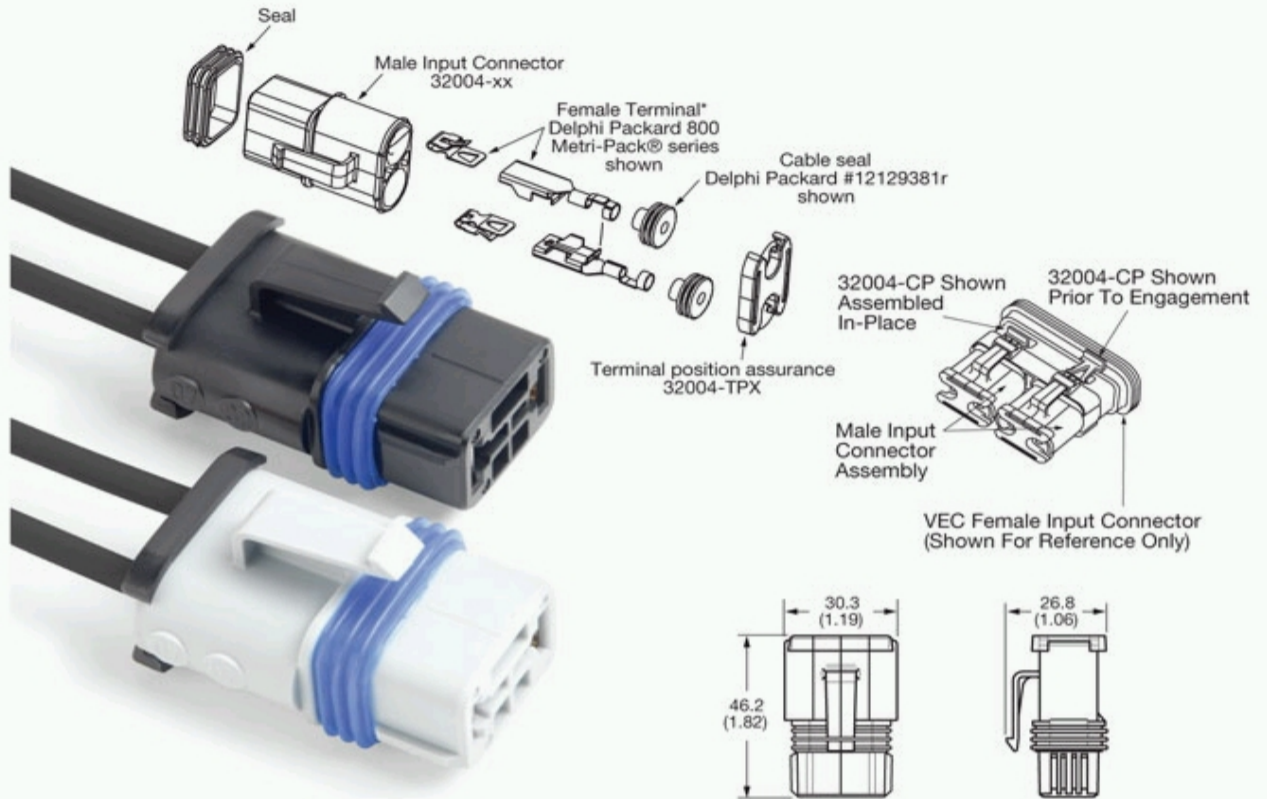
Products

SEARCH

[Advanced Search](#)
[Circuit Protection](#)
[Power Conversion](#)
[Power Distribution](#)
[Power Management](#)
[Wireless Mobile Machine Control - Transportation](#)
[Recently Viewed Items](#)
[Cooper Industries](#) > [Cooper Bussmann](#) > [Transportation](#) > [Products](#) > [Power Distribution](#) > [Vehicle Electric Centers \(VEC\)](#) > [VEC Accessories](#) > [32004-XX Power Connector](#)

32004-XX Power Connector

Share



(Dims. shown are for reference only. Consult factory for latest prints)

[PRODUCT DETAILS](#) | [RESOURCES](#) | [PART NUMBERING SYSTEM](#)

Features

Note:

Terminals and Terminal Seal Components are not provided with connectors. Available from Delphi Packard. Contact factory for part list and terminal removal tool. Sealed connector option includes outer body seal.

Related Products/Accessories

MALE INPUT CONNECTOR

32004 - X X

- Sealed / Non-Sealed Configuration
 - 1 = Non-Sealed Version
 - 2 = Sealed Version
- Color of Part
 - A = Black
 - B = Gray

TERMINAL POSITION ASSURANCE

32004 - TPX

- Sealed / Non-Sealed Configuration
 - 1 = Non-Sealed Version
 - 2 = Sealed Version

CONNECTOR POSITION ASSURANCE

32004 - CP (Ship in Bulk)

Company	Divisions	Markets	Resources	Investors
Careers Environmental Policy Corporate Giving Sustainability Safety & Health Strategic Sourcing Memorandum of Insurance	Cooper B-Line Cooper Bussmann Cooper Crouse-Hinds Cooper Lighting Cooper Power Systems Cooper Safety Cooper Wiring Devices	Commercial Communications & Data Industrial and Manufacturing Energy Oil & Gas Solar Utility	Library Product Spotlight Cross Reference Education Programs and Portals Where to Buy Cooper Technology Centers	Investor News Event Calendars Shareholder Information Annual Reports Stock Information Earnings Analyst Coverage