

Data Sheet

RW043xxHBLF

Page 1/5

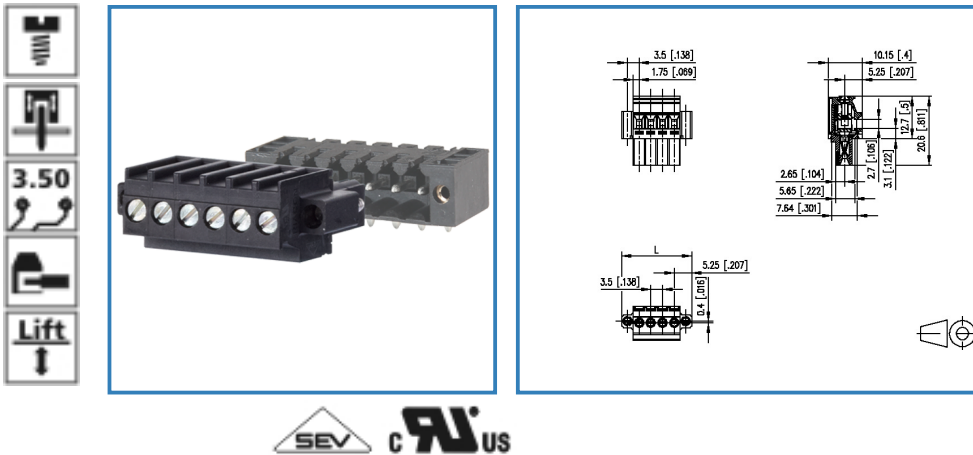
P/N

315341xx

xx=number of poles

2017/01/25

Illustration



see enlarged drawing at the end of the document

Product specification

- screw type terminal block, pluggable
- centerline 3.50 mm, direction of connection 90°
- lift system
- color black, mounting flange
- with alternative face, wire entry uncodeable side perpendicular to plug direction

Data Sheet

RW043xxHBLF

Page 2/5

P/N

315341xx

xx=number of poles

2017/01/25

Technical Data

General Data

Tightening torque SEV	0.25 Nm		
Tightening torque UL	2.2 lb-in		
min. number of poles	2		
max. number of poles	24		
Insulating material class	CTI 600		
clearance/creepage dist.	2.7 mm		
protection category	IP 20		
Overvoltage category	III	III	II
Pollution degree	3	2	2
Rated voltage	200 V	500 V	500 V
Rated test voltage	2.5 kV	2.5 kV	2.5 kV


Connection data

Rated wiring solid wire	0.08 - 1.5 mm ² / AWG 28 - 16		
Rated wiring stranded wire	0.08 - 1.5 mm ² / AWG 28 - 16		

Approvals

extended wiring UL	Wire range extended to No. 16 AWG solid only.		
--------------------	---	--	--

 V / A / AWG	300 / 10 / 28 - 16		
--	--------------------	--	--

	10 A / 130 V / 2.5 kV / 3 / IEC 61984 / 0.08 - 1 mm ²		
--	---	--	--

Material

insulating material	PA66
flammability class	V0
contact material	CuSn
Glow-Wire Flammability GWFI	960
Glow-Wire Flammability GWIT	775
contact surface	Sn
terminal body material	CuZn
terminal body surface	Ni
screw surface	Zn Cr(VI)-frei/free
screw thread	M2

Climatic properties

upper limit temperature	105 °C
lower limit temperature	-40 °C

Data Sheet

RW043xxHBLF

Page 3/5

P/N

315341xx

xx=number of poles

2017/01/25

General

Tolerance	ISO 2768 -mH
-----------	--------------



Data Sheet

RW043xxHBLF

Page 4/5

P/N

315341xx

xx=number of poles

2017/01/25

Matching Part

P/N	Product name
315251	PW063xxHBBF Typ 525
315261	PW063xxVBBF Typ 526

Accessories

P/N	Product name
700268-01-0 (on request)	F_Kodier sw
700268-0132 (on request)	F_Kodier sw
700268-0194 (on request)	F_Kodier sw



Data Sheet

RW043xxHBLF

Page 5/5

P/N

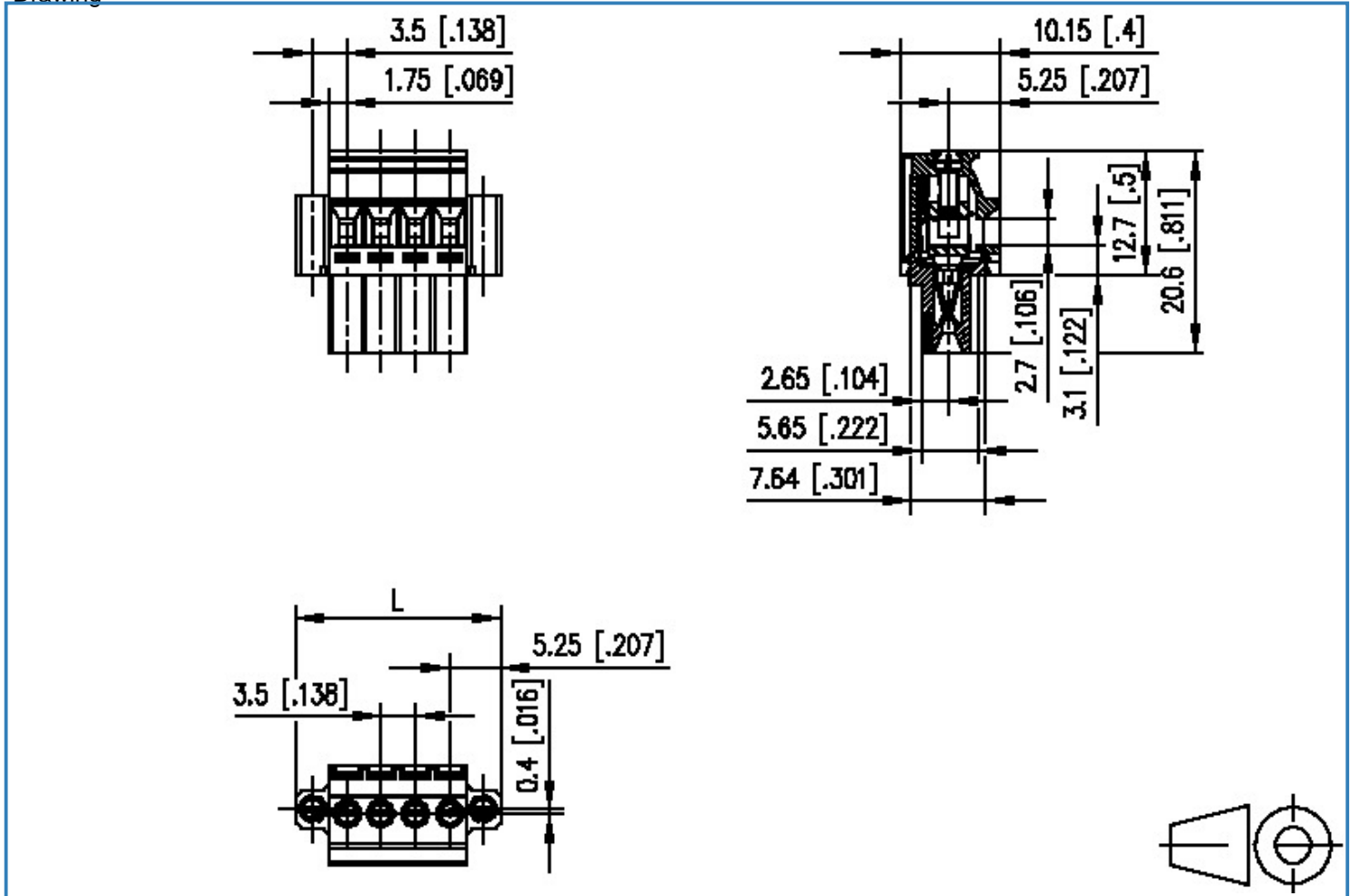
315341xx

xx=number of poles

2017/01/25

Illustration

Drawing



$L = (\text{pole size} - 1) \times \text{centerline} + 10.5 [0.413]$

