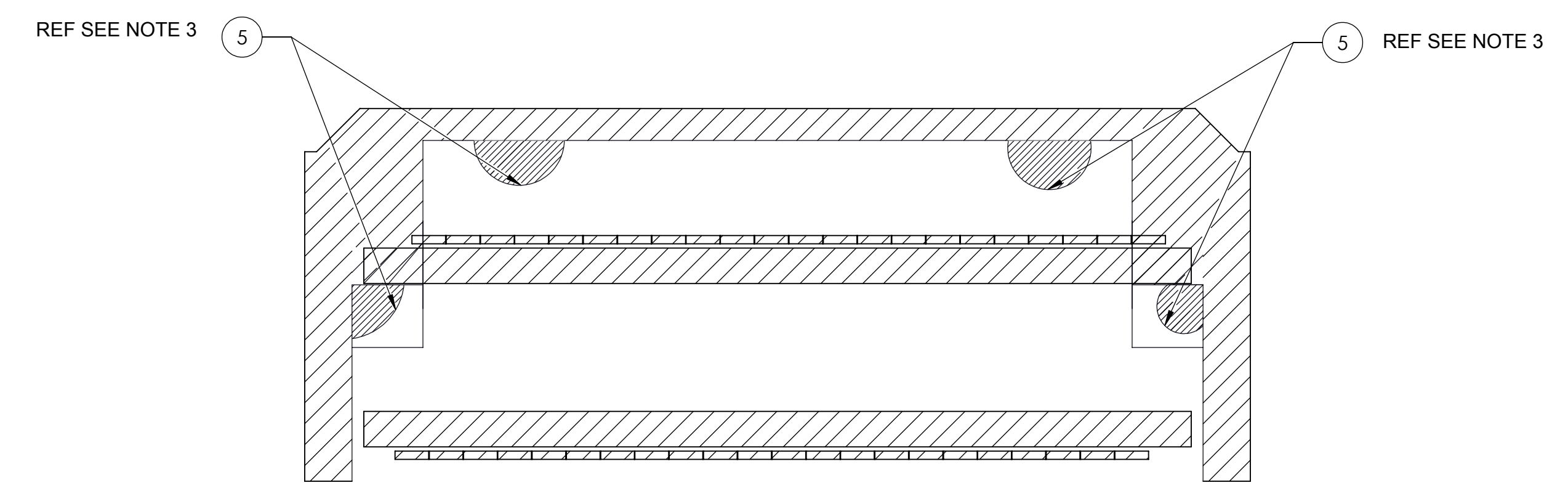
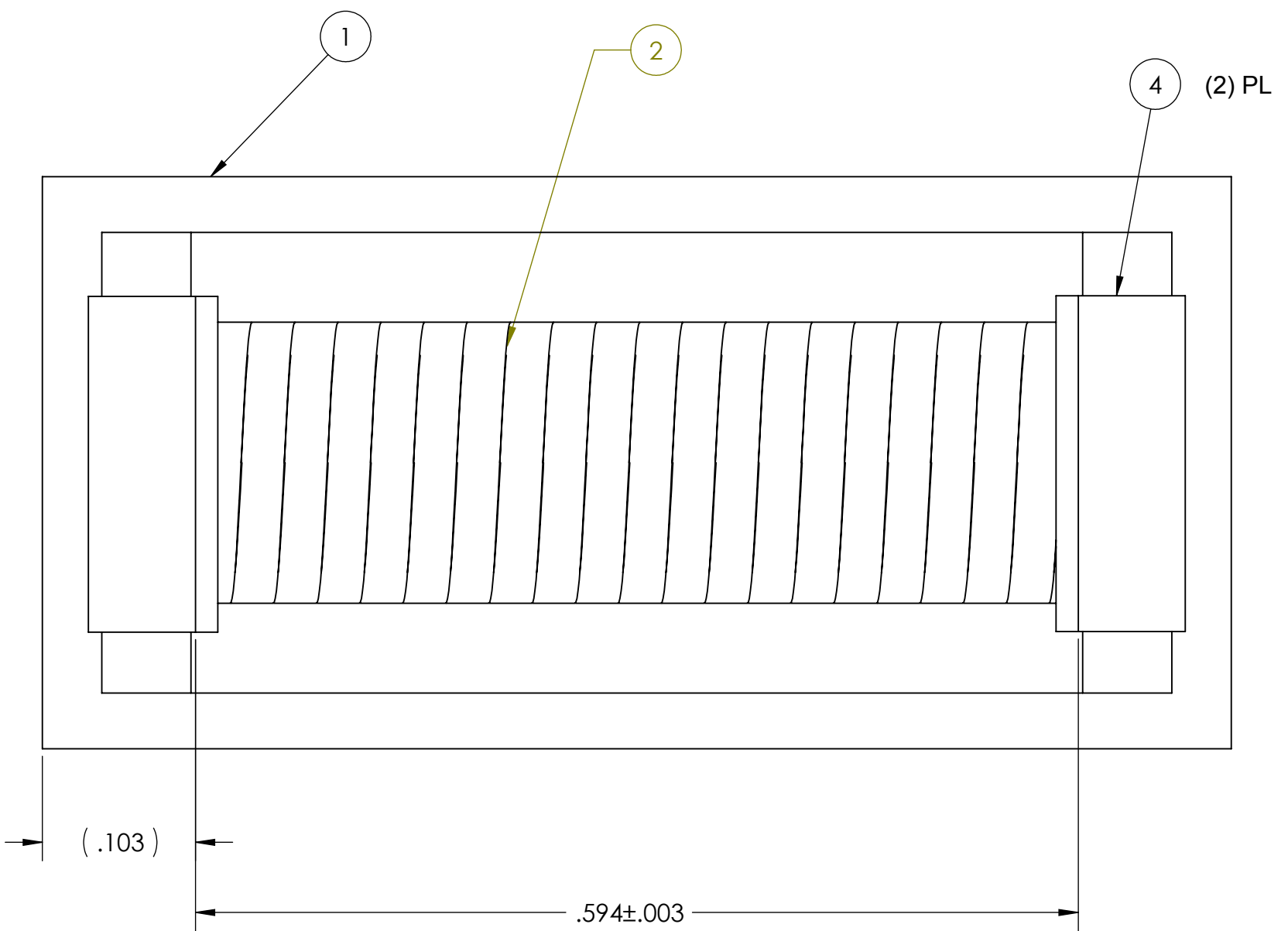
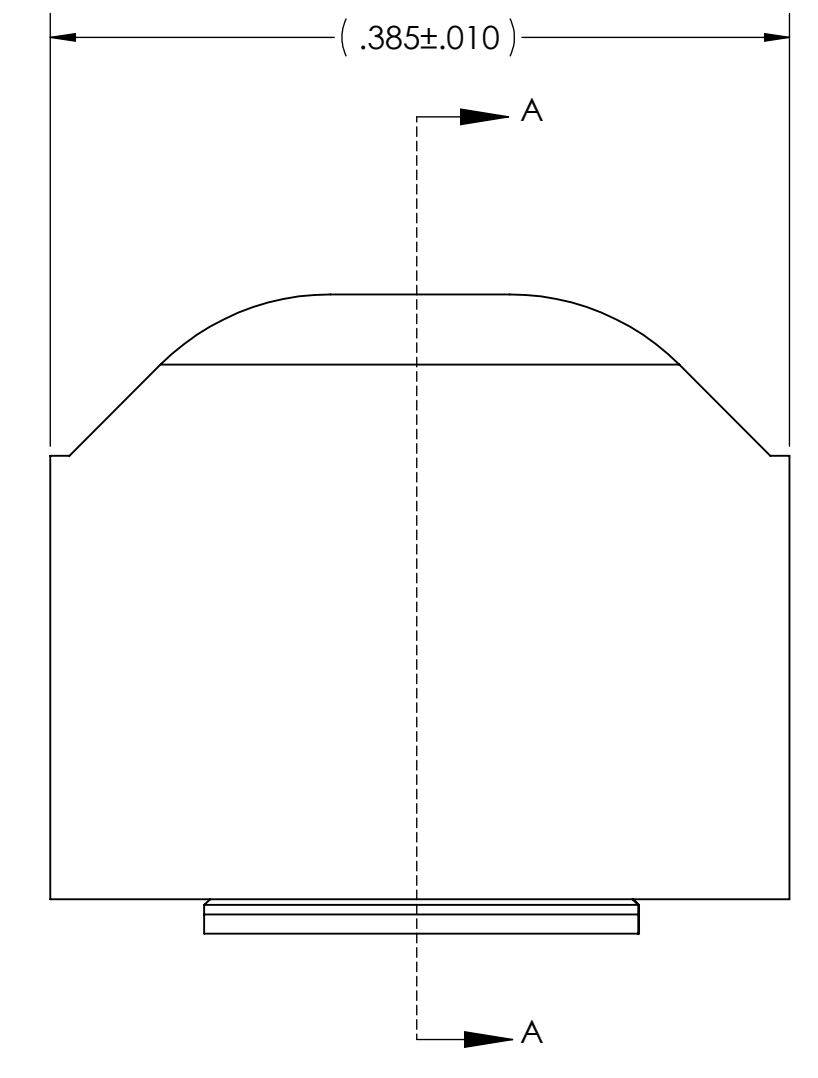
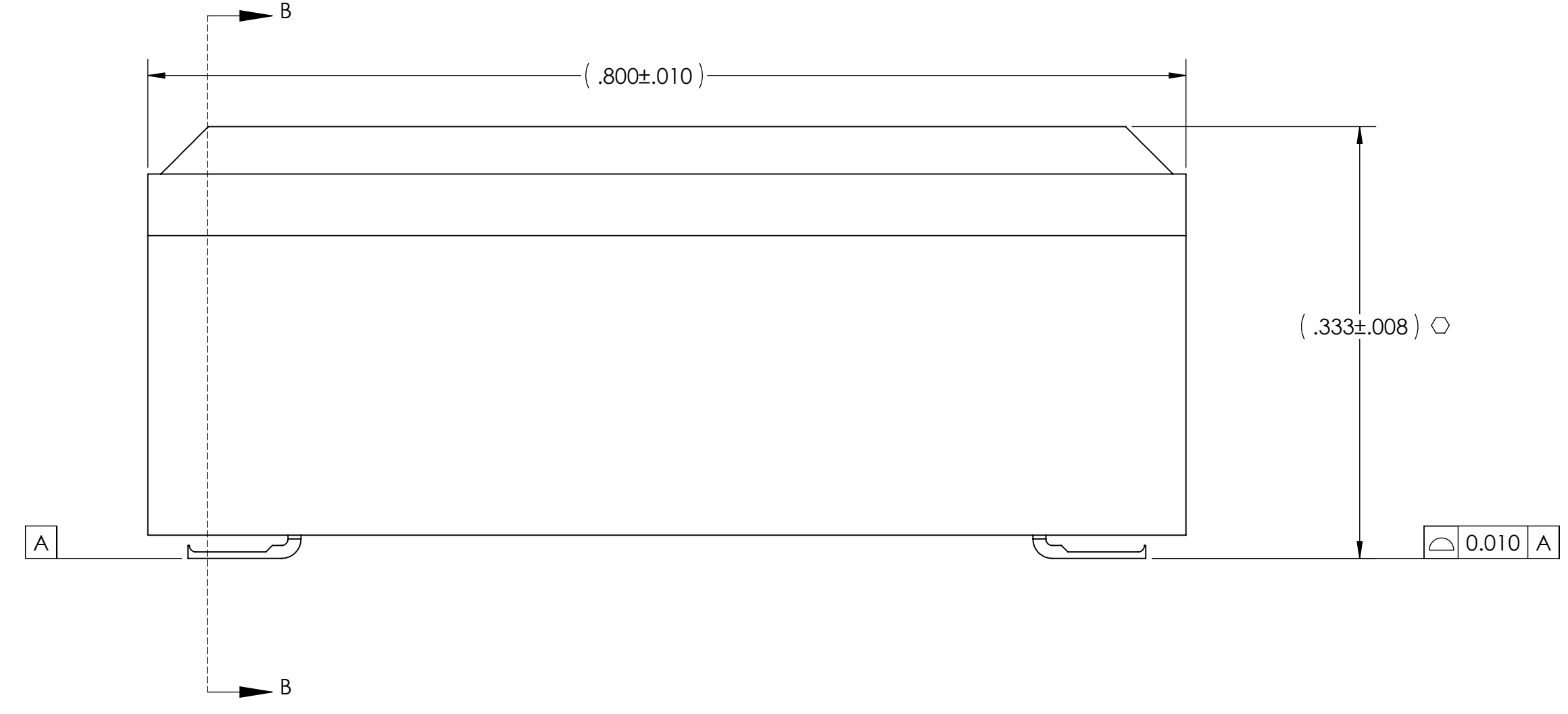
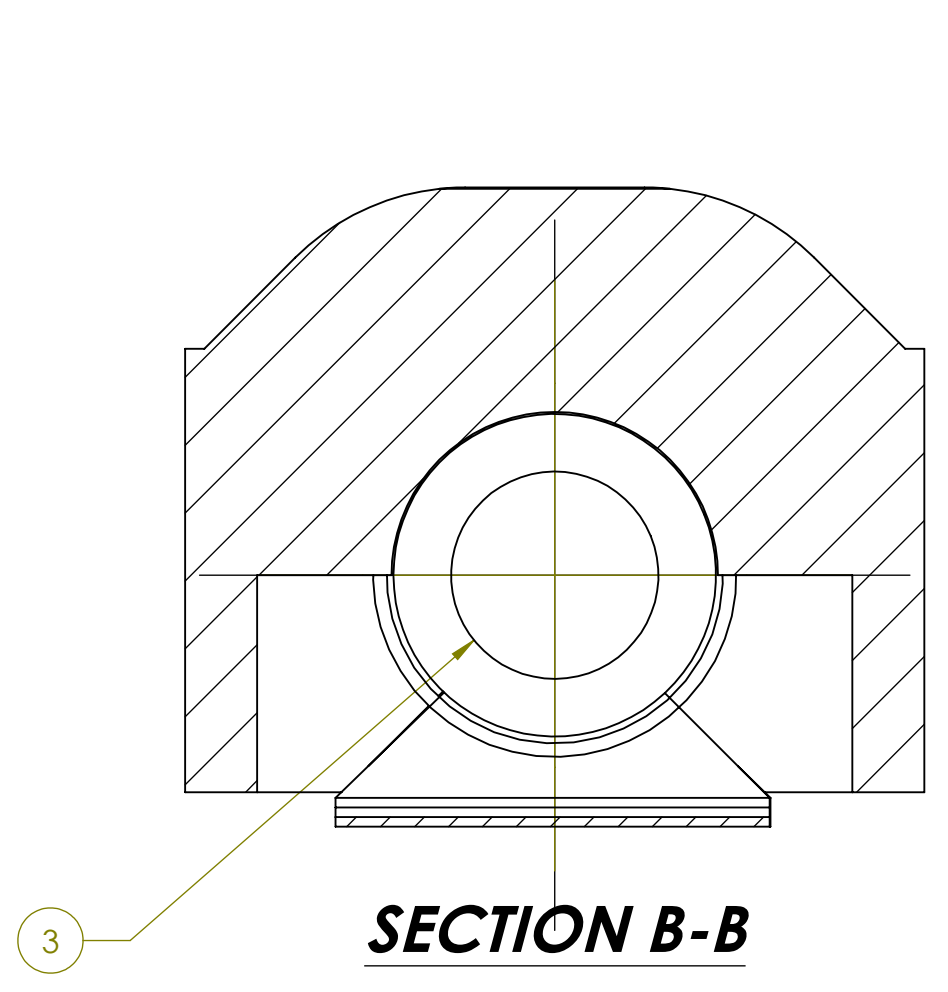


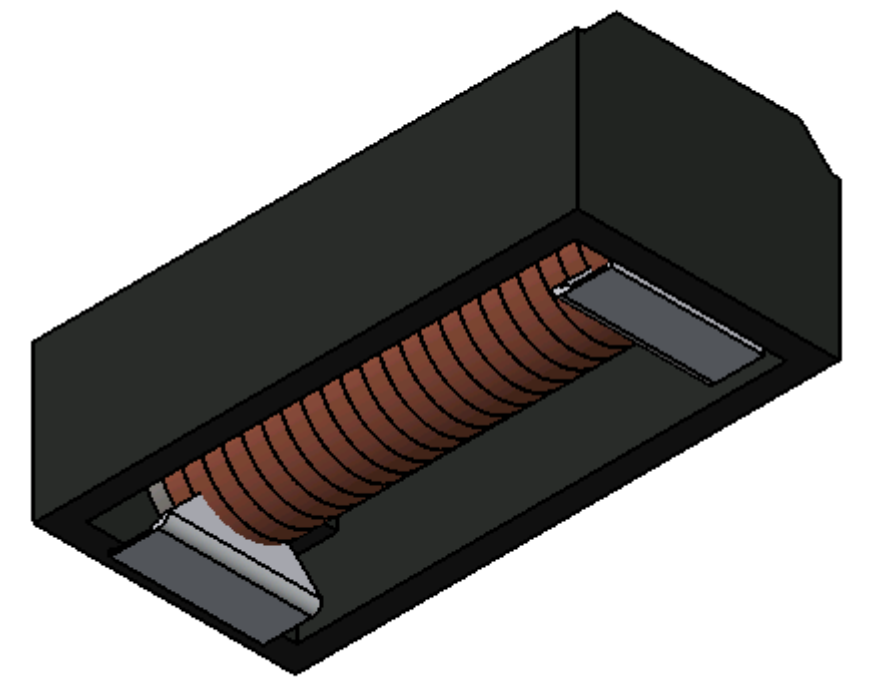
VICOR CONFIDENTIAL  
THIS DOCUMENT AND THE DATA DISCLOSED HEREIN OR HEREWITH IS NOT TO BE REPRODUCED, USED OR DISCLOSED IN ANY MANNER OR IN PART TO ANYONE WITHOUT THE PERMISSION OF VICOR CORP.

REV.	DESCRIPTION	DATE	APPROVED
1	RELEASED PER E063645	03/06/06	MB
2	REVISED PER E101020	08/18/10	DCS
3	REVISED PER E110013	01/19/11	CC
4	REVISED PER E120644a	07/16/12	TL
5	REVISED PER E121055a	11/26/12	TL



BOM NO.	NO. OF TURNS	TURNS TOL.	uh @ 100 KHz 1V (OPEN CKT)			MIN Q @ 100 KHz 1V (OPEN CKT)	RDC mOHMS	
			MIN	NOM	MAX		TYP.	MAX
31499-01	90	+/- 3	279.30	332.10	407.80	30.0	220.70	260.43
31499-02	77	+/- 2	207.56	243.09	294.26	30.0	132.50	156.35
31499-03	57	+/- 2	111.62	133.21	164.13	25.0	68.84	81.23
31499-04	44	+/- 1	68.23	79.38	95.48	25.0	40.97	48.34
31499-05	34	+/- 1	40.18	47.40	57.76	24.0	24.90	29.38
31499-06	27	+/- 1	24.94	29.89	36.97	20.0	13.67	16.13
31499-07	22	+/- 1	16.27	19.84	24.94	20.0	9.33	11.01
31499-08	18	+/- 1	10.66	13.28	17.02	20.0	6.41	7.56
31499-09	14	+/- 0	7.23	8.04	9.241	20.0	3.90	4.49
31499-10	12	+/- 0	5.31	5.90	6.790	20.0	2.81	3.23
31499-11	10	+/- 0	3.69	4.10	4.715	25.0	1.75	2.01
31499-12	8	+/- 0	2.36	2.62	3.018	25.0	1.24	1.43
31499-13	6	+/- 0	1.33	1.48	1.697	25.0	0.708	0.814
31499-14	5	+/- 0	0.92	1.03	1.179	25.0	0.506	0.582
31499-15	4	+/- 0	0.59	0.66	0.754	25.0	0.364	0.419
31499-16	3	+/- 0	0.33	0.37	0.424	25.0	0.224	0.258

- NOTES:  
1. SEE BOM 31499-XX FOR LIST OF PARTS.  
2. REFLOW SOLDER TERMINALS, ITEM 4, TO ENDS OF COIL, ITEM 2, USING 96/4 TIN/SILVER SOLDER.  
3. JOIN INSULATED ROD, ITEM 3, AND COIL, ITEM 2, TO FERRITE BASKET, ITEM 1, USING APPROXIMATELY 0.015 GRAM OF ADHESIVE, ITEM 5, AT EACH OF THE 4 LOCATIONS SHOWN IN SECTION A-A.  
4. ADDITIONAL ADHESIVE MAY BE ADDED TO THE ASSEMBLY TO ENSURE THE .010 PROFILE SPEC CAN BE MET. (VENDOR OPTION).  
5. PARTS SHALL MEET SOLDERABILITY REQUIREMENTS PER MIL-STD-202F, METHOD 208 AFTER EXPOSURE TO 8 HRS STEAM AGING PER MIL-STD-883, METHOD 2003.  
6. "C" DENOTES CRITICAL CHARACTERISTICS FOR LOT INSPECTION.  
7. ROHS COMPLIANT, LEAD FREE PER CST-0001 LATEST REVISION.  
8. GENERAL WORKMANSHIP STANDARDS FOR MAGNETIC COMPONENTS PER WS-0002 LATEST REVISION.



DRAWN BY KNIGHT	DATE 10/18/05	<b>VICOR</b> SWD	
UNLESS OTHERWISE SPECIFIED DIMENSIONS ARE: INCH / (MM)		<b>IND BASKET OUTPUT ASSY DWG</b>	
TOLERANCES ARE: DECIMALS: ANGLES XXX (X.X) = +0.01 (0.25) X.XXX (X.XX) = ±0.005 (0.127)			
THIRD ANGLE PROJECTION DO NOT SCALE DRAWING	SCALE: 10:1	SIZE <b>D</b>	CAGE CODE <b>67131</b>
		DWG NO. <b>31499-xx</b>	REV <b>5</b>
		SHEET 1 OF 1	