

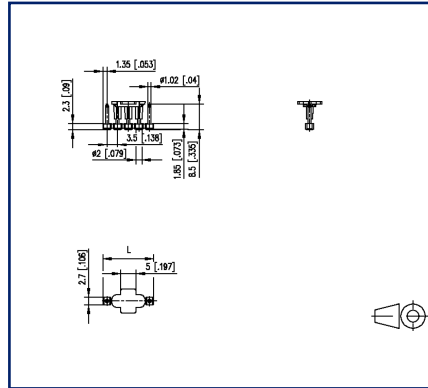
Data sheet

PM013xxVBHC Typ 424

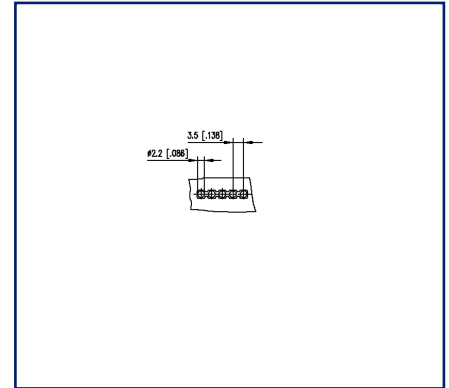
Illustrations



Dimensional drawing



PCB-Layout




See enlarged drawings at the end of document

Product specification

- pin header, SMT solderable
- centerline 3.50 mm, direction of connection vertical 0°
- fittable without loss of poles
- color black
- Tape & Reel packaging

Technical Data

General Data			
min. number of poles	2		
max. number of poles	12		
Insulating material class	CTI 400		
clearance/creepage dist.	1.5 mm		
Protection category	IP00		
Rated current	12 A		
Overvoltage category	III	III	II
Pollution degree	3	2	2
Rated voltage	32 V	200 V	200 V
Rated test voltage	2.5 kV	2.5 kV	2.5 kV
Approvals			
 V / A	300 / 15		
approval UL - File No.	E121004		
Material			
insulating material	PA46		
flammability class	V0		
contact pin material	CuZnPb		
contact pin surface	Ni + Sn		
Glow-Wire Flammability GWFI	-		
Glow-Wire Flammability GWIT	-		
Climatic Data			
upper limit temperature	125 °C		
lower limit temperature	-40 °C		
general			
Tolerance	ISO 2768 -mH		
Solderability	Acc. to IPC/JEDEC J-STD-020D-MSL 1		

© 2022 METZ CONNECT - Technische Änderungen vorbehalten! Subject to modifications! Sous réserve de modifications techniques!

U | Contact

Data sheet
PM013xxVBHC Typ 424

Page 3/5

P/N
314241xx
xx=number of poles
2022/02/14

Counterpart of

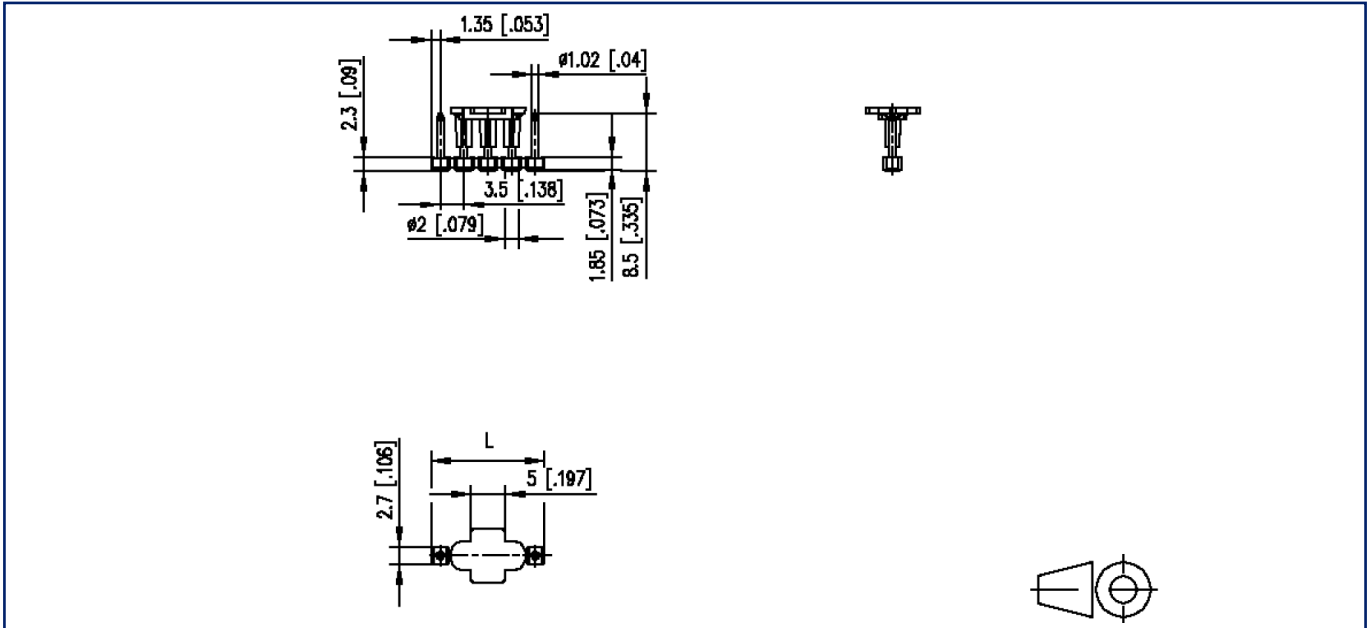
P/N	Designation
311661	RP023xxHBWC Typ 166

© 2022 METZ CONNECT - Technische Änderungen vorbehalten! Subject to modifications! Sous réserve de modifications techniques!



Illustrations

Dimensional drawing



$L = (\text{pole size} - 1) \times \text{centerline} + 2.7 \text{ mm } [0.106]$

Illustrations

PCB-Layout

