

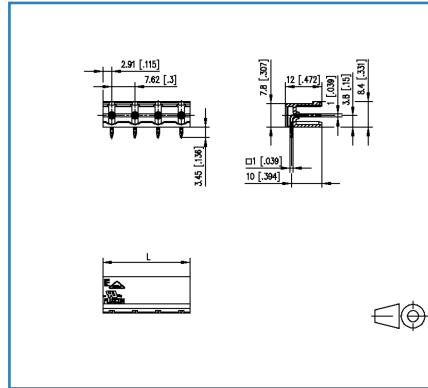
# Data sheet

## PT118xxHBEC Typ 265

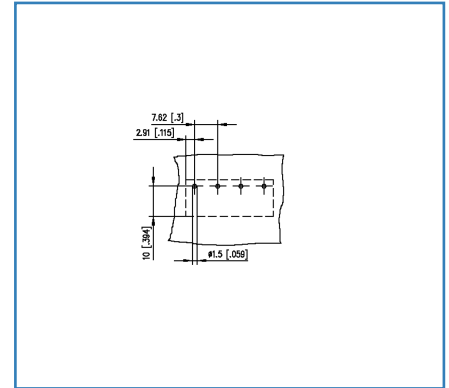
### Illustrations



Dimensional drawing



Drill pattern



See enlarged drawings at the end of document

### Product specification



- pin header, solderable
- centerline 7.62 mm, direction of connection 90°
- open ends, fittable without loss of poles
- color black
- codeable

## Technical Data

### General Data

Solder pin length	3.45 mm		
min. number of poles	2		
max. number of poles	12		
Insulating material class	CTI 600		
clearance/creepage dist.	6.6 mm		
protection category	IP00		
Overvoltage category	III	III	II
Pollution degree	3	2	2
Rated voltage	500 V	1000 V	1000 V
Rated test voltage	6 kV	6 kV	6 kV

### Approvals

 V / A / AWG	300 / 15 / 28 - 14		
approval UL - File No.	E121004		
 1.5 mm <sup>2</sup>	500 V / 6 kV / 13.5 A / 1.0 x 1.0 mm		

### Material

insulating material	PA66
flammability class	V0
contact pin material	CuFe
contact pin surface	Ni + Ag
Glow-Wire Flammability GWFI	960 °C acc. to IEC 60695-2-12
Glow-Wire Flammability GWIT	775 °C acc. to IEC 60695-2-13

### Climatic Data

upper limit temperature	105 °C
lower limit temperature	-40 °C

### General

Tolerance	ISO 2768 -mH
Solderability	Acc. to JEDEC JESD22-B102E 245°C/5s

## Data sheet PT118xxHBEC Typ 265

Page 3/6

P/N  
312651xx

xx=number of poles

2019/10/29

Version: O

### Accessories

P/N	Designation
700024-01-9	700024
700523-0157	Geh_Kappe_swg_Block

© 2019 METZ CONNECT - Technische Änderungen vorbehalten! Subject to modifications! Sous réserve de modifications techniques!



## Data sheet PT118xxHBEC Typ 265

Page 4/6

P/N  
312651xx

xx=number of poles

2019/10/29

Version: O

### Counterpart of

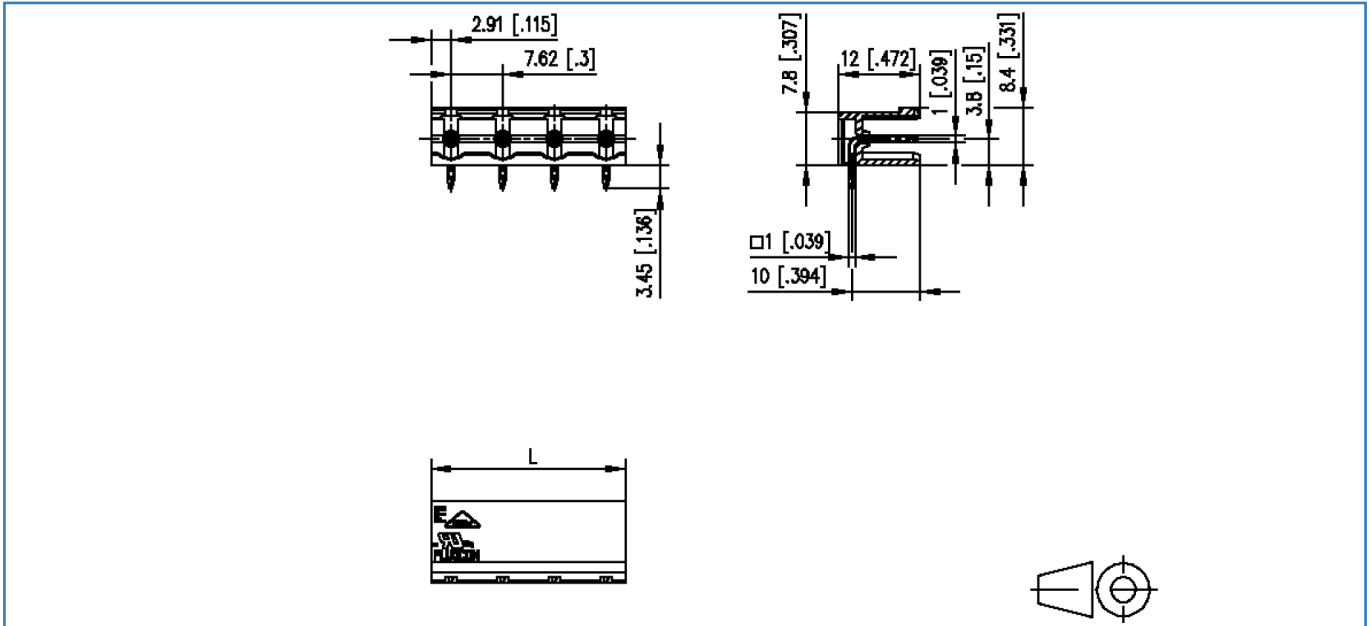
P/N	Designation
312621	RP018xxVBLC Typ 262

© 2019 METZ CONNECT - Technische Änderungen vorbehalten! Subject to modifications! Sous réserve de modifications techniques!



**Illustrations**

Dimensional drawing



$L = (\text{pole size} - 1) \times \text{centerline} + 5.82 \text{ mm} [0.229]$

© 2019 METZ CONNECT - Technische Änderungen vorbehalten! Subject to modifications! Sous réserve de modifications techniques!

## Illustrations

### Drill pattern

